

UB Series American Type B Universal Quick Coupling

 Self sealing socket+Thru-type plug



Compatible with

| | |
|-----------------|----------------|
| FOKCA | IN20,TR20,AR20 |
| INDUSTRIAL | 1/4" |
| PARKER | 10,20,50 |
| RECTUS | 14,22,23 |
| ARO | 210 |
| ORION | 44510 |
| HANSEN | 3000 |
| CEJN | 300,310 |
| ATLAS COPCO QIC | 08 |

Ordering code

UB 20 - SF - 02 B

- ◆ Universal B series
- ◆ Body size
20: 1/4"
- ◆ Coupling type
SF: Female socket
SM: Male socket
SH: Hose barb socket
SN: Nut lock socket
PF: Female plug
PM: Male plug
PH: Hose barb plug
PN: Nut lock plug
- ◆ Thread code
02: 1/4"NPT
03: 3/8"NPT
04: 1/2"NPT
- ◆ Material code
B: Brass
S: Carbon steel
SS: Stainless steel SUS304/303

Features

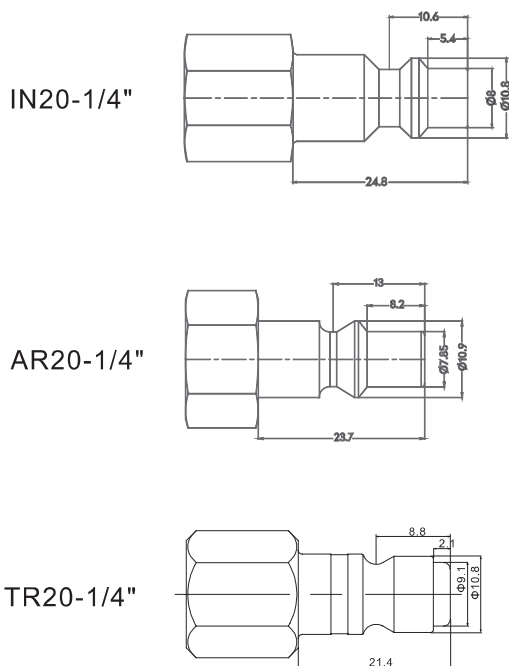
UB20 series pneumatic quick couplings are a variant of the UA20 series and conforms to ISO6150-B standard and can be compatible with ARO210, industrial interchange 1/4" and Tru-Flate nipples. One female coupler can be interchanged with IN20, TR20 and AR20 plugs freely. It is usually made of carbon steel with nickel plated or brass with acid pickling.

The maximum working pressure is 2.0MPa. If it is replaced with fluorine rubber FKM, it can also work under high temperature conditions. Compared with the UA20 series, the UB20 series has smaller size, lighter weight, lower cost, and simple operation, safe and reliable, but its flow rate is less than that of the UA series. The push-to-connect structure is easy for one hand operation. UA20 series is available for 1/4" flow rate body only. If you need a larger flow rate, it is recommended to choose EU20, or IN30, IN40 series.

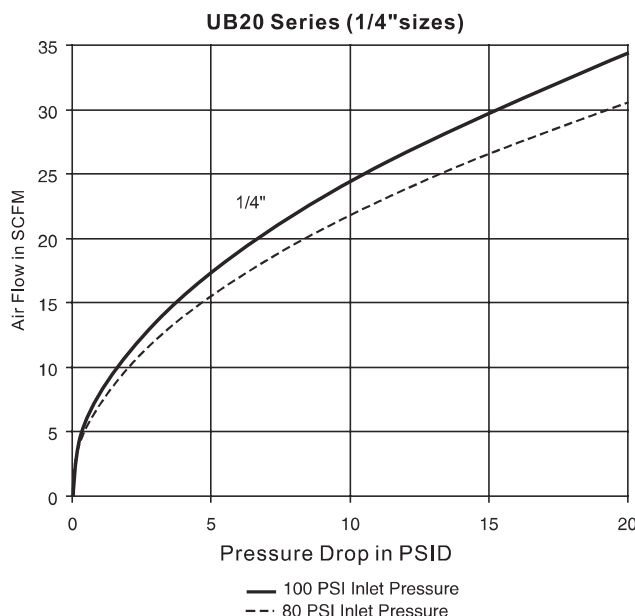
Specification

| Series | UB20 |
|---------------------|---------------|
| Body Size(in.) | 1/4" |
| Rated Pressure(MPa) | 2.0MPa |
| Temperature Range | -10°C ~ +70°C |
| Locking Device | 6 balls |

Plug profile



Performance



UB Series American Type B Universal Quick Coupling

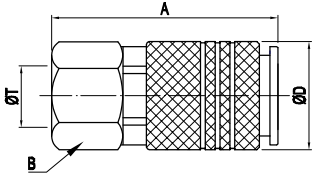
—○—+— Self sealing socket+Thru-type plug

Sockets/Couplers

Female Pipe Thread



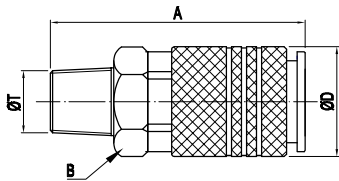
| Model | Body Size | Thread -T | Overall (A) | Hex Size (B) | Diameter (D) |
|------------|-----------|-----------|-------------|--------------|--------------|
| UB20-SF-02 | 1/4 | 1/4"NPT | 52 | 19 | 22 |



Male Pipe Thread



| Model | Body Size | Thread -T | Overall (A) | Hex Size (B) | Diameter (D) |
|------------|-----------|-----------|-------------|--------------|--------------|
| UB20-SM-02 | 1/4 | 1/4"NPT | 52 | 19 | 22 |



Standard Hose Barb



| Model | Body Size | Hose I.D. | Overall (A) | Hex Size (B) | Diameter (D) |
|------------|-----------|-----------|-------------|--------------|--------------|
| UB20-SH-02 | 1/4 | 1/4" | 62 | 19 | 22 |

