

UA Series American Type A Universal Quick Coupling

 Self sealing socket+Thru-type plug



Ordering code

UA 20 - SF - 02 B

- ◆ Universal A series
- ◆ Body size
20: 1/4"
- ◆ Coupling type
SF: Female socket
SM: Male socket
SH: Hose barb socket
SN: Nut lock socket
PF: Female plug
PM: Male plug
PH: Hose barb plug
PN: Nut lock plug
- ◆ Thread code
02: 1/4"NPT
03: 3/8"NPT
04: 1/2"NPT
- ◆ Material code
B: Brass
S: Carbon steel
SS: Stainless steel SUS304/303

Compatible with

FOKCA	IN20, TR20, AR20
INDUSTRIAL	1/4"
PARKER	10, 20, 50
RECTUS	14, 22, 23
ARO	210
ORION	44510
HANSEN	3000

Features

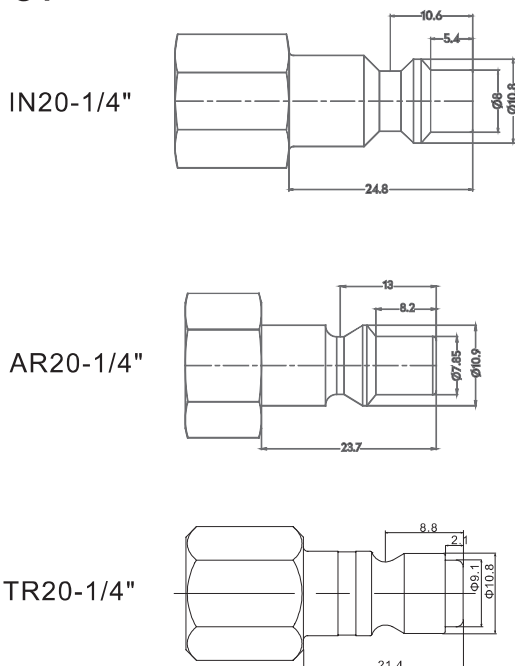
UA20 series quick coupling conforms to ISO6150-B standard and can be interchanged with ARO210, industrial interchange 1/4" and Tru-Flate nipples. One female coupler can be matched with IN20, TR20 and AR20 plugs freely. It is usually made of carbon steel with nickel plated or brass with acid pickling.

The maximum working pressure is 2.0MPa. If it is replaced with fluorine rubber FKM, it can also work under high temperature conditions. UA20 series quick couplings are designed with 4 locking balls, and the push-to-connect sleeve structure makes the operation more convenient, tight, safe and reliable. The UA20 is only available in 1/4" flow rate body. If you need a larger flow rate, it is recommended to choose EU20 series.

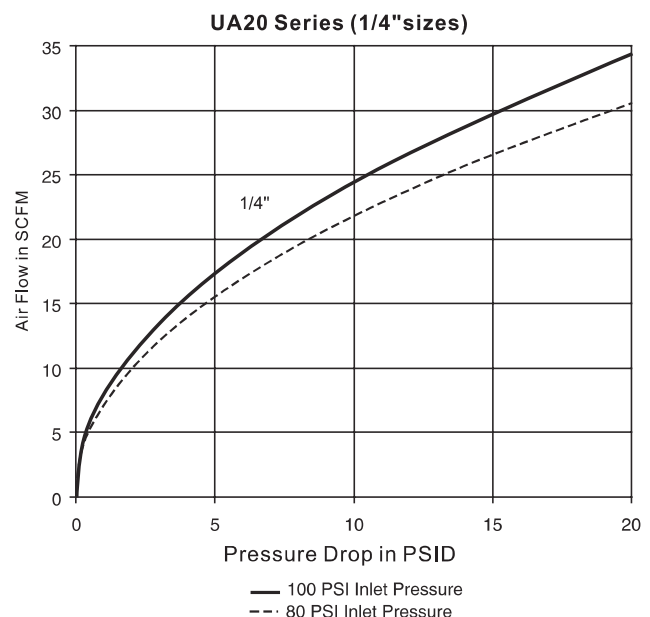
Specification

Series	UA20
Body Size(in.)	1/4"
Rated Pressure(MPa)	2.0MPa
Temperature	-10°C ~ +70°C
Locking Device	4 balls

Plug profile



Performance



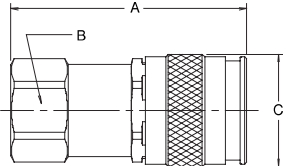
—○—+— Self sealing socket+Thru-type plug

Sockets/Couplers

Female Pipe Thread



Model	Body Size	Thread -NPT	Overall (A)	Hex Size (B)	Diameter (C)
UA20-SF-02	1/4	1/4-18	50.8	21	25



Male Pipe Thread



Model	Body Size	Thread -NPT	Overall (A)	Hex Size (B)	Diameter (C)
UA20-SM-02	1/4	1/4-18	50.8	21	25

