

Angle Seat Valve(Piston Valve)

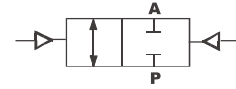
Series PV1527 (27mm Actuator)

FESCOLO

**2/2-way Angle-Seat Valve
Pneumatically Operated, for
medium up to +120° C,
Stainless steel Actuator Dia 27mm
female threaded port connection, DN15**

Symbol

Control function I
(double-acting actuator)



- Design compact style 2/2-way Stainless steel valve;
- Movable seat & V type seals ensure reliable and effective performance
- Valve in Y type installation and horizontal installation is optional;
- Double acting NC and double acting liberty is optional

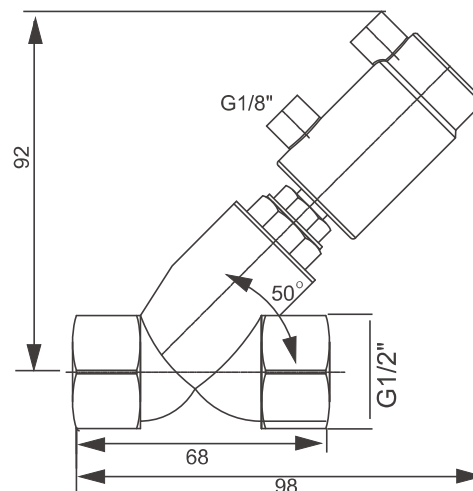
◆ Dimensions [mm]

◆ How to Order

Y-type Filling valve PV1527-A

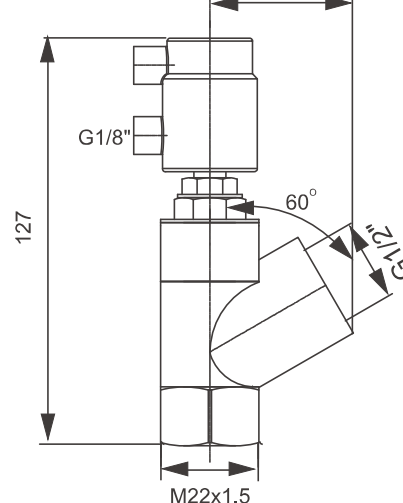


PV1527-A



Filling valve (horizontal installation)

PV1527-B
37



PV1527-B