

# Pneumatic Ball Valve

## Series VSP

### Series VSP Pneumatic ball valve; Port connection, DN8-100

- Valve body form: 2PCS OR 3PCS is optional;
- Valve type: 2-way, 3-way L and 3-way T is optional

#### ◆ How to Order

V SP 2 2 025 D 5015 S



VSP23025D3020S



VSP3T3025D3025S

#### Actuator Seals

Blank	NBR (standard)
HT	FKM -15~+150!
LT	MQ -40~+80!

#### AT type Body (see AXM actuator catalogue)

P	S
H	F

#### Actuator cap Color

7046	Grey	3020	Red
9004	Black	6002	Green
5021	Blue	5015 (standard)	Sky blue

#### Spring Qty. (only for spring rest)

4,5,6,7,8,9,10,11,12

#### Actuator acting type

S	Single acting	D	Double acting
---	---------------	---	---------------

#### Port code

15	G1/2	20	G3/4
25	G 1	32	G1 1/4
40	G1 1/2	50	G 2

#### Valve body form

2	2-piece	3	3-piece
---	---------	---	---------

#### Valve type

2	2-2way	3L	3-way L type
3T	3-way T type		

#### Valve model

SP	Series SP ball valve
----	----------------------

#### Actuator model

V	Series VT pneumatic actuator
---	------------------------------

#### ◆ Connections for fluidic circuit functions 3-way ball valve

Valve type		Variation 01	Variation 02	Variation 03	Variation 04
3-way T type	Pos.1				
	Pos.2				
3-way L type	Pos.1				
	Pos.2				

#### ◆ Note:

1. For actuator select, please consult AXM.

#### Specifications

**Valve body material:** SS304/316/316L

**Actuator material:** Aluminium

**Working temperature:** -10° C to 180° C

**Max. working pressure:** 40 bar

**Maximun pilot pressure:** 4.0~6.0bar

**Maximun Viscosity:** 600 cSt (mm<sup>2</sup>/s)<sup>1)</sup>

**Pilot fluid:** Filtered air or water

**Mainly seal:** PTFE

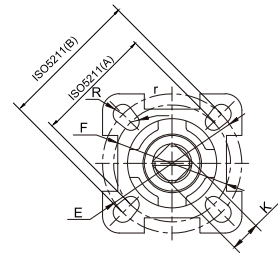
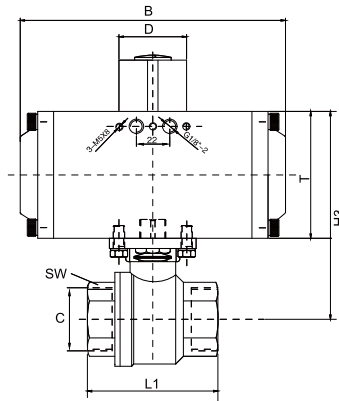
<sup>1)</sup> For higher viscosity applications, please consult AXM.

# Pneumatic Ball Valve

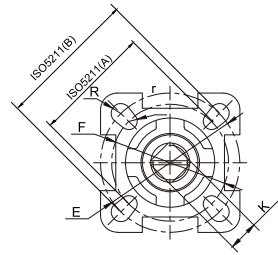
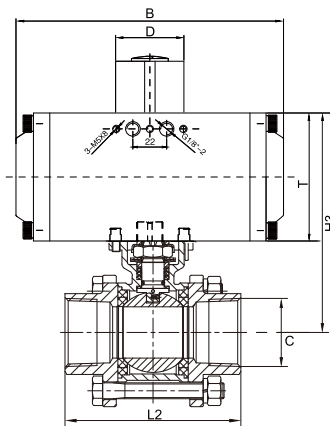
## Series VSP

### ◆ Dimensions [mm]

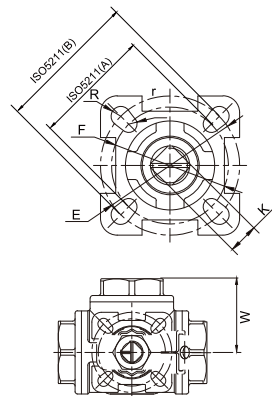
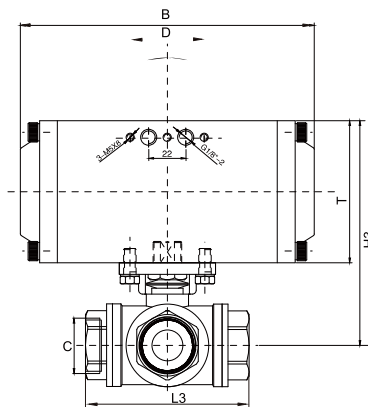
2-piece pneumatic ball valve



3-piece pneumatic ball valve



3-way pneumatic ball valve



Port size	C	L1	L2	L3	H1	H2	H3	B	D	T	W	SW	E	F	K	R	r	ISO5211
DN 8	1/4"	/	/	70	/	/	70	110	40	50	35	25	/	/	/	/		F03
DN10	3/8"	/	/	70	/	/	70	110	40	50	35	27	/	/	/	/		F03
DN15	1/2"	64	72	70	113	113	70	154	40	70	35	27	42	36	9	3	3	F03/04
DN20	3/4"	70	79	83	119	116	83	154	40	70	38	33	42	36	9	3	3	F03/04
DN25	1"	85	93	92	128	120	92	154	40	70	45	41	50	42	11	3.5	3	F04/05
DN32	1-1/4"	94	111	125	152	145	125	189	40	89	55	48	50	42	11	3.5	3	F04/05
DN40	1-1/2"	105	119	140	160	157	140	189	40	89	65	55	70	50	14	4.5	3.5	F05/07
DN50	2"	125	136	155	178	176	155	210	40	100	75	69	70	50	14	4.5	3.5	F05/07
DN65	2-1/2"	155	185	/	214	208	/	229	40	113	/	82	70	50	14	4.5	3.5	F05/07
DN80	3"	173	210	/	245	241	/	337	40	136	/	96	102	70	17	5.5	4.5	F07/10
DN100	4"	240	266	/	284	286	/	266	56	161	/	122	102	70	17	5.5	4.5	F07/10