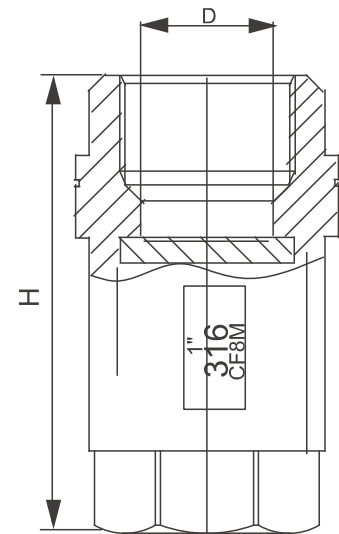


2PC Spring Vertical lift Check Valve Series CV100

2PC Spring Vertical lift Check Valve



CV100-025



Note: Make a reference before place order

◆ Specifications

Model Specification	Specification
Nominal Pressure	PN1.6, 2.5, 4.0, 6.4Mpa
Strength test Press	PT2.4, 3.8, 6.0, 9.6Mpa
High P. test Press.	1.8, 2.8, 4.4, 7.1Mpa
Medium Temp.	-20~180°C
Gasket material	PTFE
Ambient and fluid	-C water, oil, gas
	-P Nitric acid (Material CF8)
	-R Acetic acid (Material CF8M)

Note: Select suitable products in terms of working medium (see details in specifications).

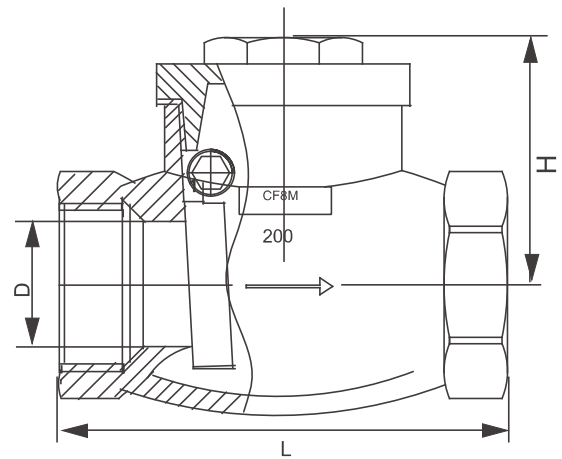
◆ Dimensions [mm]

Port Size	H	D
DN10	56	11
DN15	61	14
DN20	68	18
DN25	82	24
DN32	91	31
DN40	106	38
DN50	121	47
DN65	126	64

Swing Check Valve



Female Swing Check Valve Series CV200



◆ Specifications

Model Specification	Specification
Nominal Pressure	PN1.6, 2.5, 4.0, 6.4Mpa
Strength test Press	PT2.4, 3.8, 6.0, 9.6Mpa
High P. test Press.	1.8, 2.8, 4.4, 7.1Mpa
Medium Temp.	-20~180°C
Gasket Material	PTFE
Ambient and fluid	-C water, oil, gas
	-P Nitric acid (Material CF8)
	-R Acetic acid (Material CF8M)

Note: Select suitable products in terms of working medium (see details in specifications).

◆ Dimensions [mm]

Port Size	H	L	D
DN15	44	64	15
DN20	49	78	25
DN25	58	88	24
DN32	62	102	30
DN40	71	117	37
DN50	76	136	46
DN65	90	163	63
DN80	102	183	73