

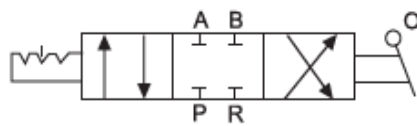
**HV, HV400 Series Hand-Switching Valve:**



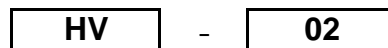
HV-02



HV400-02



**1.Ordering Code :**



**Valve type (3positions/4ways)**

HV: HV series hand-switching valve  
 HV400: HV400 series hand-switching valve

**Port size**

02: G1/4  
 03: G3/8  
 04: G1/2

**2.Characteristics:**

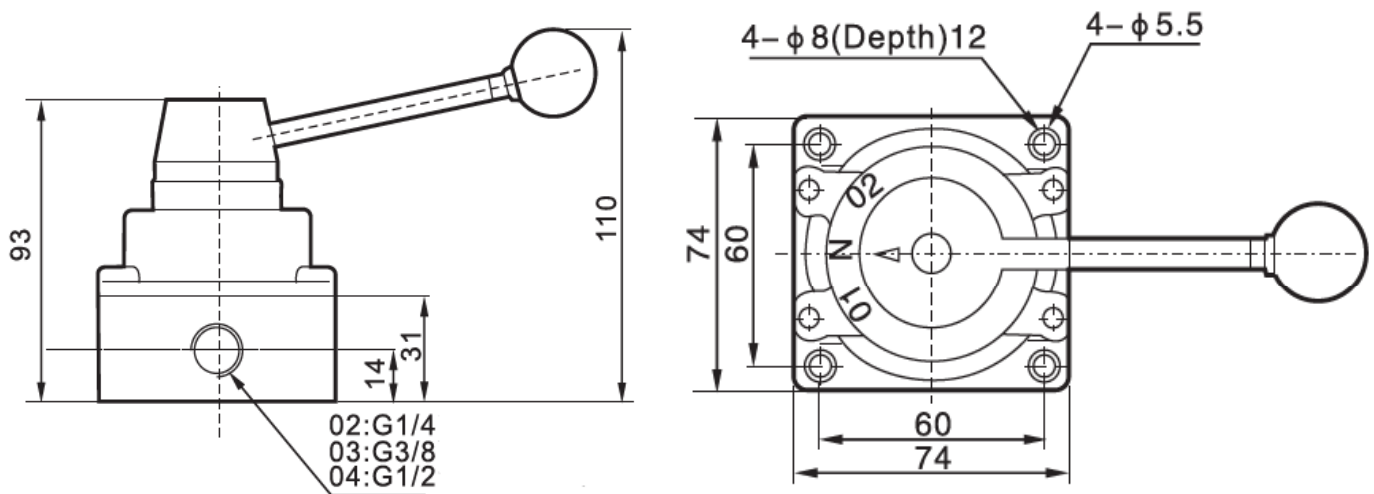
- 1) The HV series hand valve is controlled by human or machine, to switch the direction of air flow.
- 2) The material of valve body: Aluminum alloy.
- 3) Valve type: 3positions 4ways
- 4) Different thread types can be offered according to customers' requirements, e.g.: PT, NPT etc.

### 3.Specification:

Item	HV-02	HV-03	HV-04
Valve type	Three positions four ports		
Applicable medium	40 Micron Filtered Compressed air		
Effective sectional area	30mm <sup>2</sup> (CV=1.68)		
Working pressure	0~0.8 MPa		
Temperature range	0°C~60°C		
Port size	G1/4	G3/8	G1/2

### 4. Overall and Dimension Sheet:

#### HV series



#### HV400 series

