

ASC Series Flow Control Valve:

1. Ordering Code :

ASC - 10

Valve type

ASC: ASC series flow control valve

Port size

06: G1/8

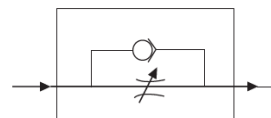
08: G1/4

10: G3/8

15: G1/2



ASC-10



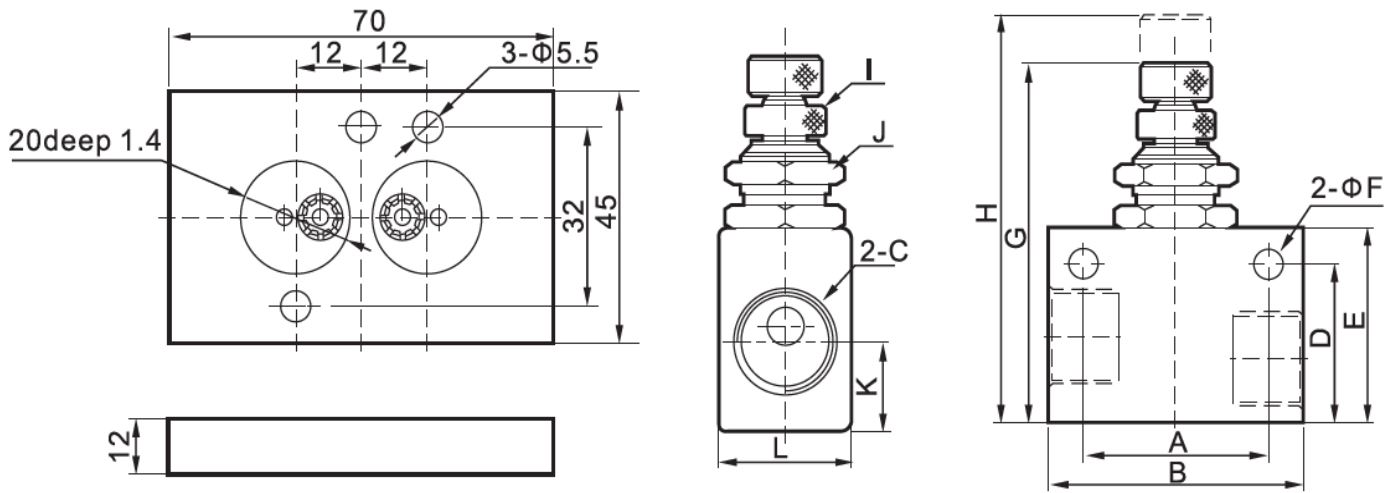
2.Characteristics:

- 1) The ASC series flow control valve is a type of valve which regulates the flow or pressure of a fluid.
- 2) They normally respond to signals generated by independent devices such as flow meters or temperature gauges.
- 3) Different thread types can be offered according to customers' requirements, e.g.: PT, NPT etc.

3.Specification:

Item	ASC-06	ASC-08	ASC-10	ASC-15
Applicable medium	Filtered compressed air			
Working pressure	0~0.95 MPa			
Temperature range	0°C~60°C			
Port size	G1/8	G1/4	G3/8	G1/2

4. Overall and Dimension Sheet:



Model	A	B	C	D	E	F	G	H	I	J	K	L
ASC-06	22	32	G1/8	22	27	4.3	49.7	56.5	M6×0.5	M12×0.75	12	18
ASC-08	26	36	G1/4	22	27	4.3	49.7	56.5	M6×0.5	M12×0.75	12	18
ASC-10	28	40	G3/8	25	30	4.3	52.7	59.5	M6×0.5	M12×0.75	13	22
ASC-15	28	40	G1/2	30	35	4.3	58.7	65.5	M6×0.5	M12×0.75	13.5	26