

CV Series Check Valve:

1. Ordering Code :

CV - **02**

Valve type

CV: CV series check valve

Port size

01: G1/8

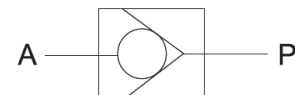
02: G1/4

03: G3/8

04: G1/2



CV-02



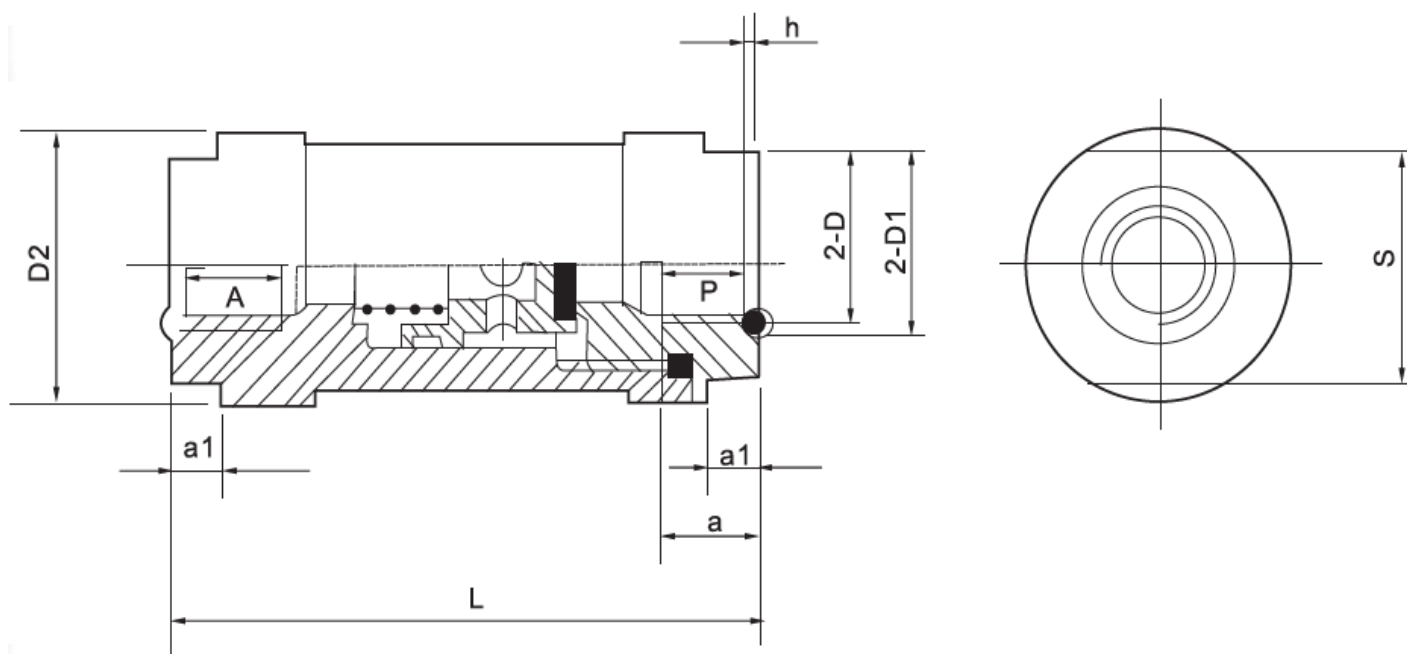
2.Characteristics:

- 1) The CV series check valve is unidirectional control element.
- 2) When passing the valve, the working medium can only flow along a given direction.
- 3) In operation, when the medium pressure direction changes, the valve functions to stop the return of the medium in the system.
- 4) Different thread types can be offered according to customers' requirements, e.g.: PT, NPT etc.

3.Specification:

Item	CV-01	CV-02	CV-03	CV-04
Applicable medium	Compressed air			
Working pressure	0.05~1.2 MPa			
Temperature range	-5℃~60℃			
Port size	G1/8	G1/4	G3/8	G1/2
Leak out flow(cm ³ /min)	≤45	≤60	≤80	≤95

4. Overall and Dimension Sheet:



Model	Joint Pipe Code	D	D1	D2	S	L	a	a1	h
KA-3	3	M6×1	Φ9	Φ15	12	36	6	5	1.4 ⁰ _{-0.1}
KA-6	6	G1/8 M10×1	Φ13	Φ28	24	64	10	6	1.4 ⁰ _{-0.1}
KA-8	8	G1/4 M12×1.5	Φ16	Φ28	24	64	12	6	1.4 ⁰ _{-0.1}
KA-10	10	G3/8 M16×1.5	Φ20	Φ40	36	86	14	10	1.8 ⁰ _{-0.1}
KA-15	15	G1/2 M20×1.5	Φ26	Φ40	36	86	14	10	1.8 ⁰ _{-0.1}
KA-20	20	G3/4 M27×2	Φ32	Φ55	46	112	21	12	1.8 ⁰ _{-0.1}
KA-25	25	G1 M33×2	Φ40	Φ55	46	112	23	12	2.7 ⁰ _{-0.12}
KA-32	32	G1 1/4 M42	Φ48	Φ88	75	161	25	22	2.7 ⁰ _{-0.12}
KA-40	40	G1 1/2 M48×2	Φ54	Φ88	75	161	26	26	2.7 ⁰ _{-0.12}
KA-50	50	G2 M60×2	Φ70	Φ100	90	95	26	26	4.5 ⁰ _{-0.18}