

KA Series Check Valve:

1. Ordering Code :

KA - **08**

Valve type

KA: KA series check valve

Port size

06: G1/8

08: G1/4

10: G3/8

15: G1/2

20: G3/4

25: G1

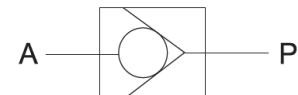
32: G1 1/4

40: G1 1/2

50: G2



KA-08



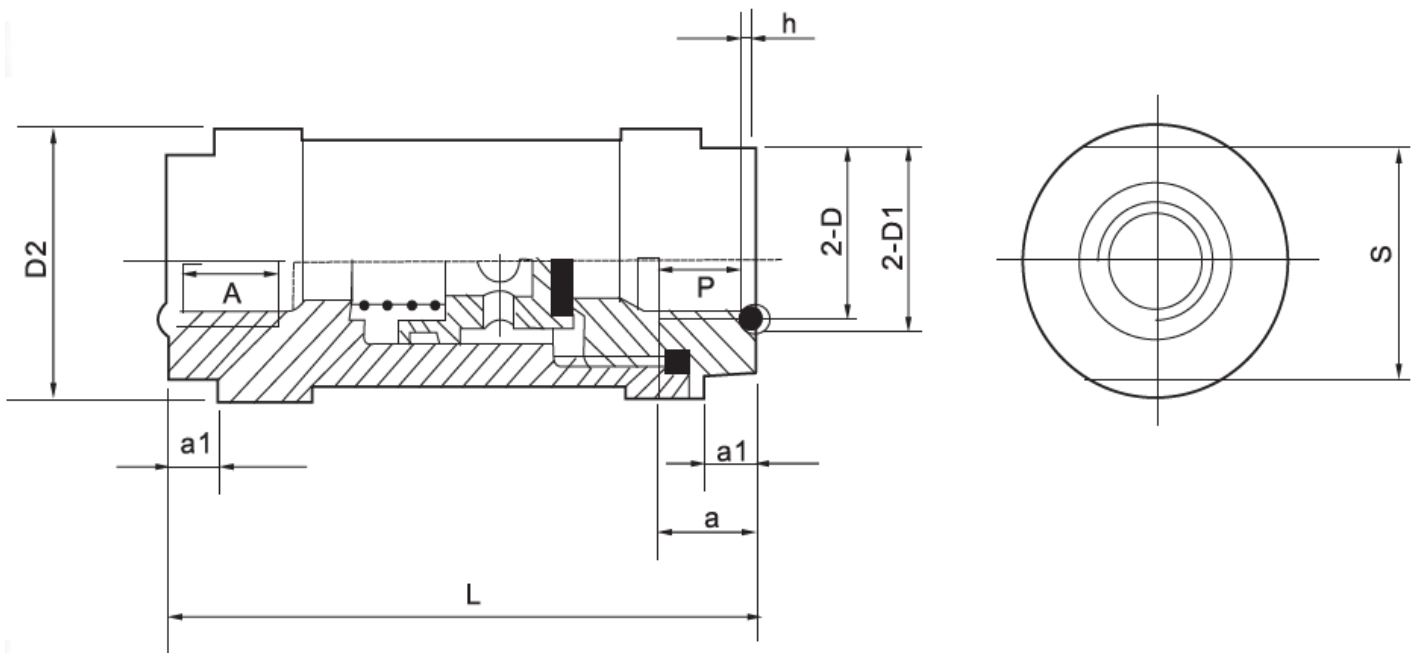
2.Characteristics:

- 1) The KA series check valve is unidirectional control element.
- 2) When passing the valve, the working medium can only flow along a given direction.
- 3) In operation, when the medium pressure direction changes, the valve functions to stop the return of the medium in the system.
- 4) Different thread types can be offered according to customers' requirements, e.g.: PT, NPT etc.

3.Specification:

Item	KA-06	KA-08	KA-10	KA-15	KA-20	KA-25	KA-32	KA-40
Applicable medium	≤40μ Filtered Air							
Motion pattern	Direct drive type							
Working pressure	0.05~0.8 MPa							
Proof Pressure	1.0MPa							
Temperature range	NBR: 0°C~55°C							
Port size	G1/8	G1/4	G3/8	G1/2	G3/4	G1	G1-1/4	G1-1/2
Circulating ability	10	20	40	60	110	190	300	400
Startup ability	≤0.03 MPa							
Leak out flow(cm ³ /min)	50	50	120	120	250	250	500	500
Respond time	0.03 seconds							

4. Overall and Dimension Sheet:



Model	Joint Pipe Code	D	D1	D2	S	L	a	a1	h
KA- 3	3	M6×1	Φ9	Φ15	12	36	6	5	1.4 ⁰ _{-0.1}
KA- 6	6	G1/8 M10×1	Φ13	Φ28	24	64	10	6	1.4 ⁰ _{-0.1}
KA- 8	8	G1/4 M12×1.5	Φ16	Φ28	24	64	12	6	1.4 ⁰ _{-0.1}
KA- 10	10	G3/8 M16×1.5	Φ20	Φ40	36	86	14	10	1.8 ⁰ _{-0.1}
KA- 15	15	G1/2 M20×1.5	Φ26	Φ40	36	86	14	10	1.8 ⁰ _{-0.1}
KA- 20	20	G3/4 M27×2	Φ32	Φ55	46	112	21	12	1.8 ⁰ _{-0.1}
KA- 25	25	G1 M33×2	Φ40	Φ55	46	112	23	12	2.7 ⁰ _{-0.12}
KA- 32	32	G1 1/4 M42	Φ48	Φ88	75	161	25	22	2.7 ⁰ _{-0.12}
KA- 40	40	G1 1/2 M48×2	Φ54	Φ88	75	161	26	26	2.7 ⁰ _{-0.12}
KA- 50	50	G2 M60×2	Φ70	Φ100	90	95	26	26	4.5 ⁰ _{-0.18}