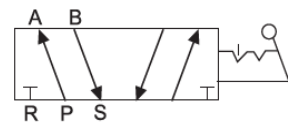


4H Series Hand Valve:



4H210-08



1. Ordering Code :

	4H	2	10	-	08	-	<input type="checkbox"/>
Hand valve type 4H: 4H Series hand-pull valve							
Button type 2: 200 Series 3: 300 Series 4: 400 Series							
Specification Code 10: Two positions five ways 30: Three positions five ways							
Port size 06: G1/8 10: G3/8 08: G1/4 15: G1/2							
Type code Blank: Three positions five ways Reset Type L: Three positions five ways Locking Type							

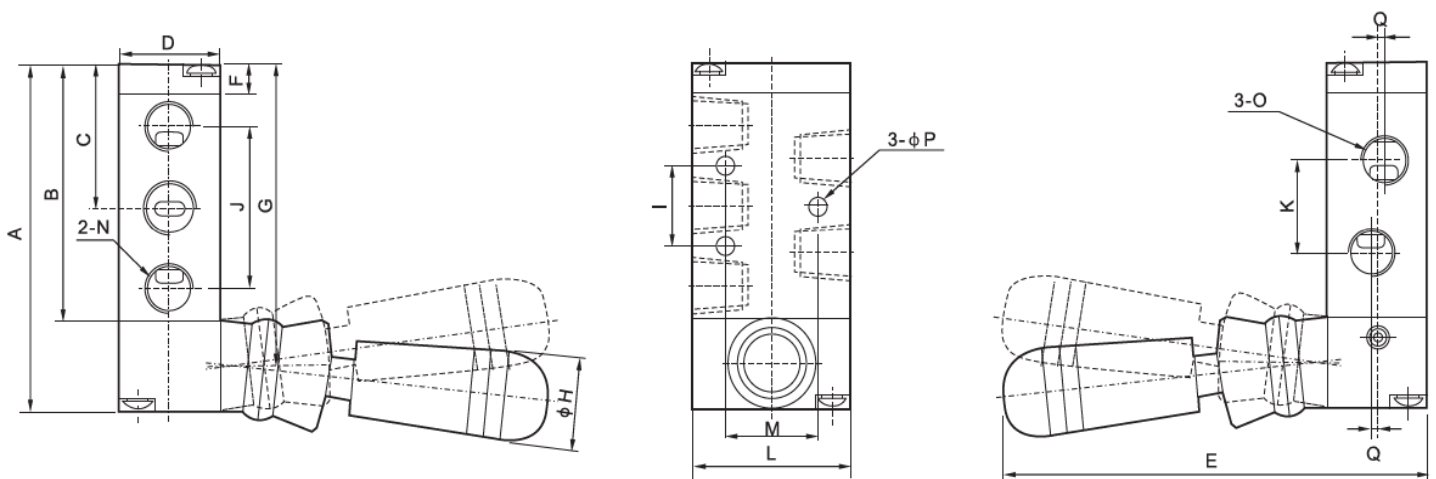
2.Characteristics:

- 1) 4H Series hand-pull valve is with high response and stability nature.
- 2) There are two motion pattern, single-head double-position and single-head three position
- 3) 5/2ways and 3/2ways are available.
- 4) Various working style is available.
- 5) Lock type and spring return type are available.

3. Specification:

Item	4H210-06	4H210-08	4H230-08	4H310-08	4H310-10	4H330-10	4H410-15	4H430-15	
Applicable medium	≤40μ Filtered Air								
Motion pattern	Direct drive type								
Working pressure	0~1.0 MPa								
Proof Pressure	1.2MPa								
Temperature range	NBR: 0°C~60°C								
Port size	Inlet and outlet	G1/8	G1/4	G1/4	G1/4	G3/8	G3/8	G1/2	G1/2
	Exhaust port	G1/8	G1/4	G1/4	G1/4	G1/4	G1/4	G1/2	G1/2
Effective section area (mm ²)	14	16	12	25	30	30	50	50	
Cv Value	0.78	0.89	0.67	1.4	1.68	1.68	2.79	2.79	

4. Overall and Dimension Sheet:



Symbol/Model	A	B	C	D	E	F	G	H	I	J	K	L	M	N	O	P	Q
4H210-06	76	56.5	31.5	22	95	6.5	66.5	18	20	36	21	35	21	G1/8"	G1/8"	4.3	-
4H230-06	76	56.5	31.5	22	95	6.5	66.5	18	20	36	21	35	21	G1/8"	G1/8"	4.3	-
4H230-06(Automatic Reset)	95	75.5	31.5	22	95	6.5	85.5	18	20	36	21	35	21	G1/8"	G1/8"	4.3	-
4H210-08	76	56.5	31.5	22	95	6.5	66.5	18	20	36	21	35	21	G1/8"	G1/4"	4.3	1.5
4H230-08L	76	56.5	31.5	22	95	6.5	66.5	18	20	36	21	35	21	G1/8"	G1/4"	4.3	1.5
4H230-08(Automatic Reset)	95	75.5	31.5	22	95	6.5	85.5	18	20	36	21	35	21	G1/8"	G1/4"	4.3	1.5
4H310-08	92	72.5	40	27	100	7.5	82.5	18	24	45	24	40	27	G1/4"	G1/4"	4.3	-
4H310-10	92	72.5	40	27	100	7.5	82.5	18	24	45	24	40	27	G1/4"	G3/8"	4.3	2
4H410-15	126	102	55.5	34	100	7.5	114	18	28	63	36	50	35	G1/2"	G1/2"	5.5	-