

## 4A Series 2positions/5ways Air Control Valve:



4A210-08



4A220-08



4A310-10

### 1.Ordering Code :



**Air Valve Type**

4A: Two positions Five ways air control valve

**Body size**

1: 100 series(M5, G1/8) 2: 200 series(G1/8,G1/4)  
3: 300 series(G1/4,G3/8) 4: 400 series(G1/2)

**Coil and position**

10: Single-head for two positions  
20: Double-head for two positions  
30C: Double-head center close type for three positions  
30E: Double-head center exhaust type for three positions  
30P: Double-head center pressure type for three positions

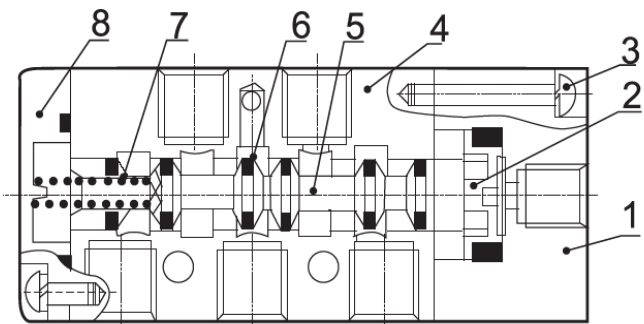
**Connecting port size**

06: G1/8      08: G1/4      M5: M5x0.8  
10: G3/8      15: G1/2

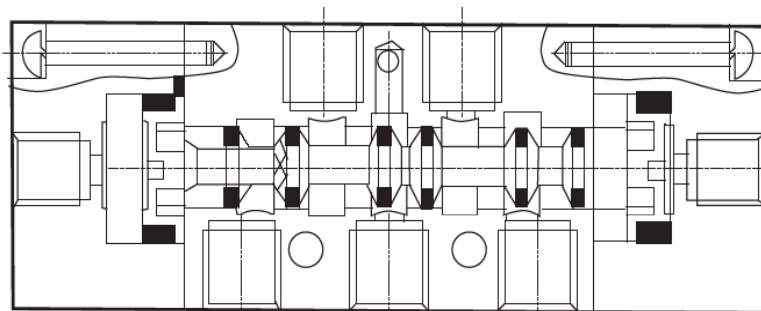
## 2.Characteristics:

- 1) This series air valves are with high dust prevention.
- 2) Different sealing materials are available like NBR, EPDM, VITON.
- 3) Pressure unit:  $1\text{kg/cm}^2=1\text{bar}=0.1\text{MPa}=100\text{KPa}=14.5\text{psi}$
- 4) Different thread types can be offered according to customers' requirements, e.g.: PT, NPT etc.

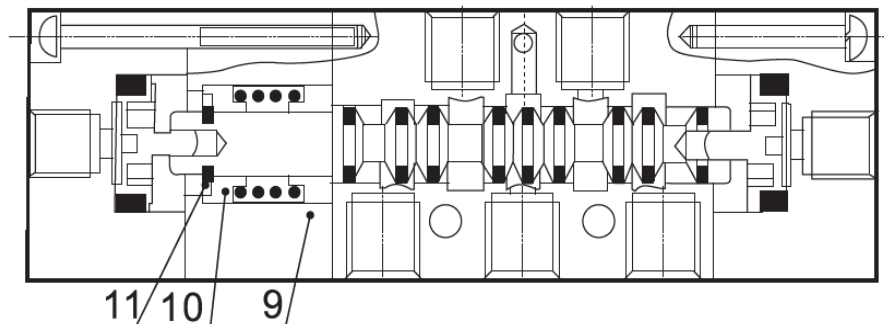
## 3.Internal Structure:



**Single-Head Type**  
(4A110~4A410)



**Double-Head Type**  
(4A120~4A420)



**Double-Head Type**  
(4A130~4A430)

No.:	Designation	No.:	Designation	No.:	Designation
1.	Air control cover	5.	Spool	9.	Back seat
2.	Piston	6.	O ring	10.	Spring seat
3.	Screw	7.	Spring	11.	C-type buckle
4.	Valve body	8.	Rear cover		

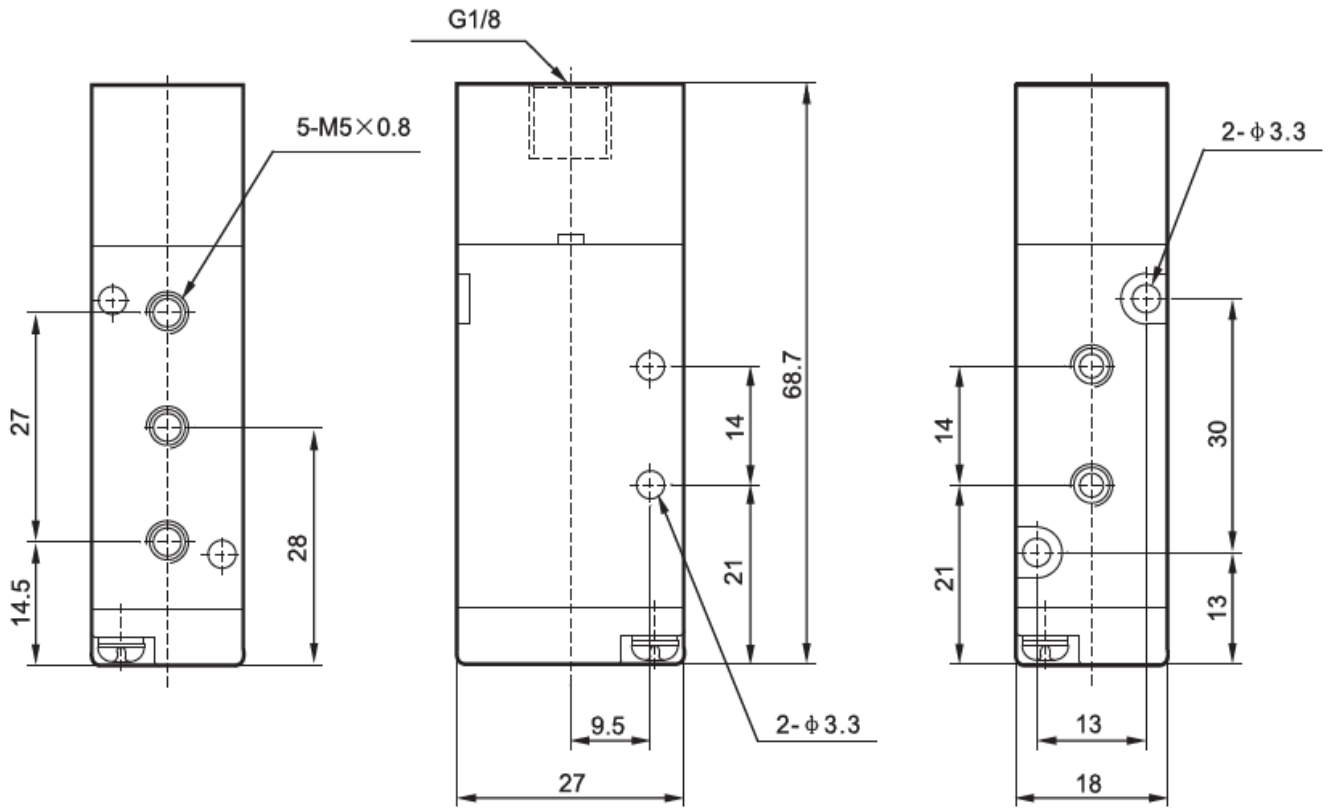
#### 4.Specification:

Model	Acting head	4A100 Series		4A200 Series		4A300 Series		4A400 Series
	Single head	4A110-M5	4A110-06	4A210-06	4A210-08	4A310-08	4A310-10	4A410-15
	Double head	4A120-M5	4A120-06	4A220-06	4A220-08	4A320-08	4A320-10	4A420-15
	Center close	4A130C-M5	4A130C-06	4A230C-06	4A230C-08	4A330C-08	4A330C-10	4A430C-15
	Center exhaust	4A130E-M5	4A130E-06	4A230E-06	4A230E-08	4A330E-08	4A330E-10	4A430E-15
	Center pressure	4A130P-M5	4A130P-06	4A230P-06	4A230P-08	4A330P-08	4A330P-10	4A430P-15
Applicable medium	≤40μ Filtered Air							
Motion pattern	Inner guide type							
Working pressure	0.15~0.8 MPa							
Proof Pressure	1.2MPa							
Temperature range	NBR: 5°C~50°C							
Port size	M5x0.8	G1/8	G1/8	G1/4	G1/4	G3/8	G1/2	
Effective section area (mm <sup>2</sup> )	10	12	14	16	25	30	50	
Cv Value	0.56	0.67	0.78	0.89	1.4	1.68	2.79	
Material of body	Aluminum alloy							
Highest action frequency	5 cycles/second							
Shortest excitation time	0.05 s							
Sealing material	NBR or VITON							

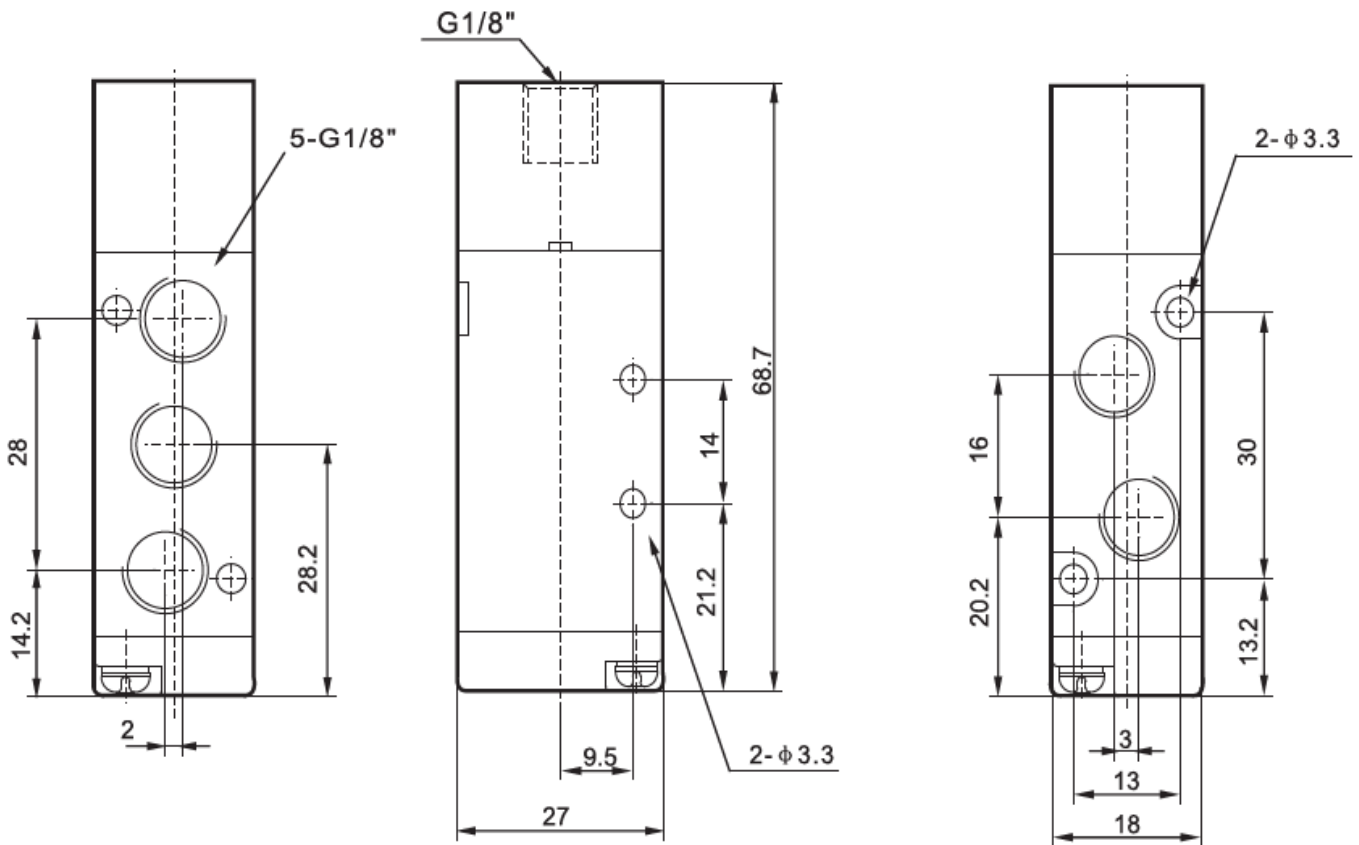
\* 1 kgf/cm<sup>2</sup> = 1 bar = 0.1 Mpa = 100KPa = 14.5psi

5. Overall and Dimension Sheet:

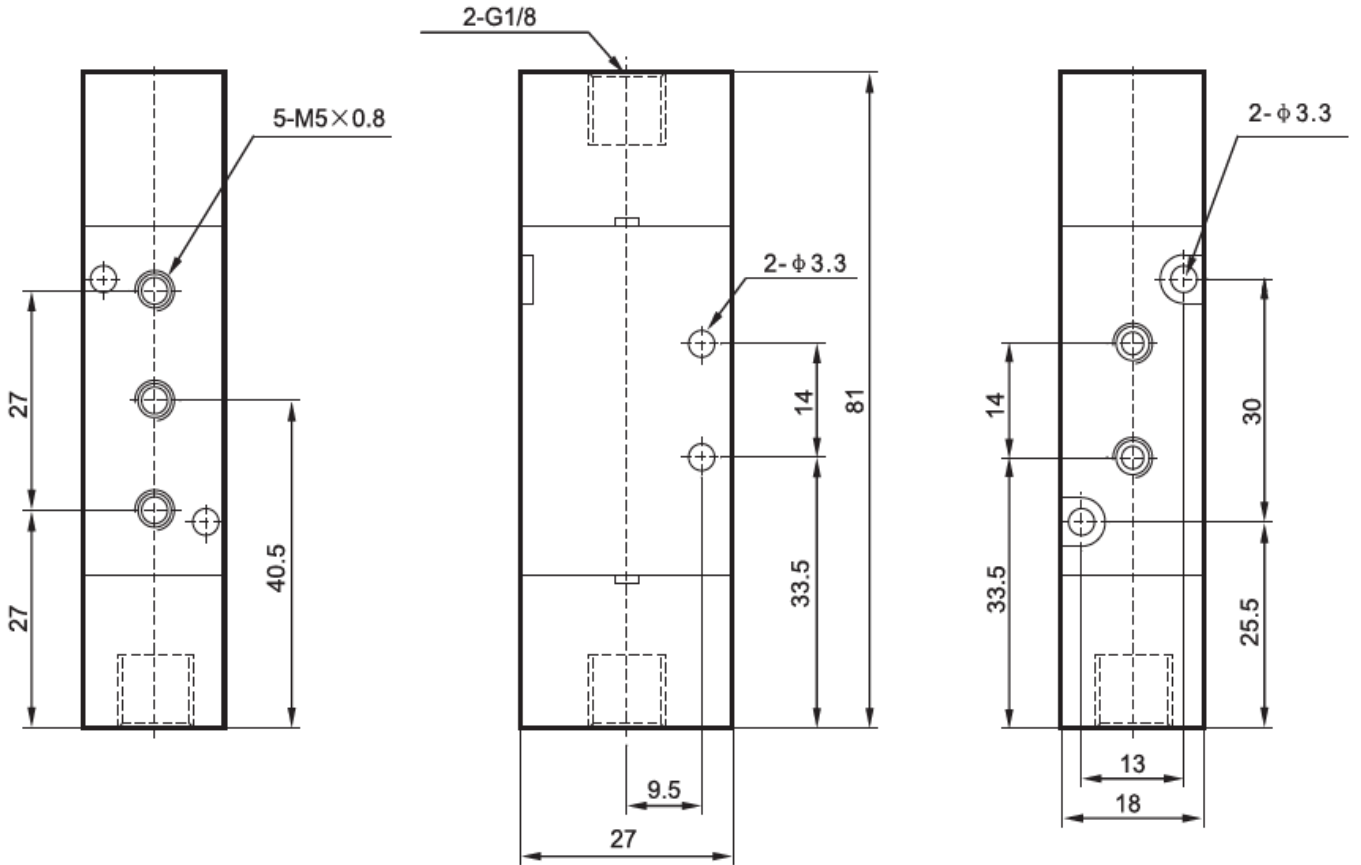
**4A110-M5**



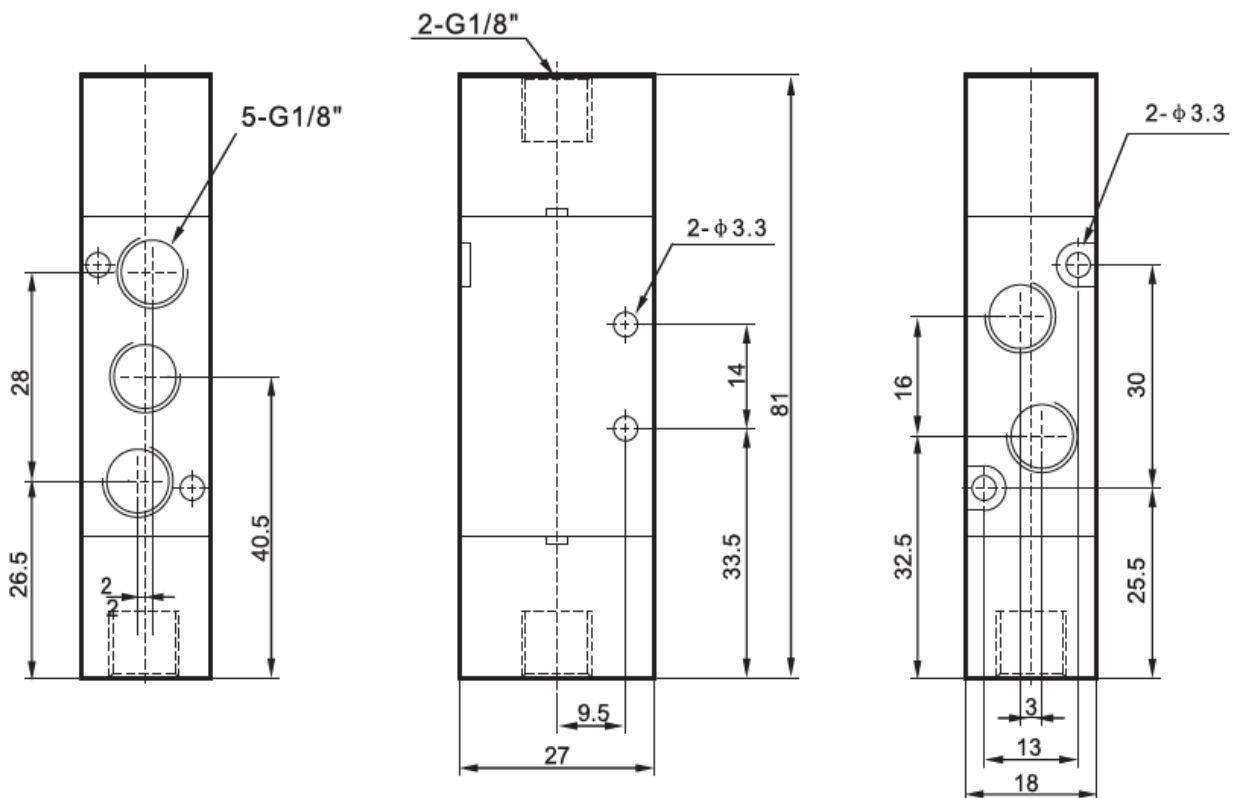
**4A110-06**



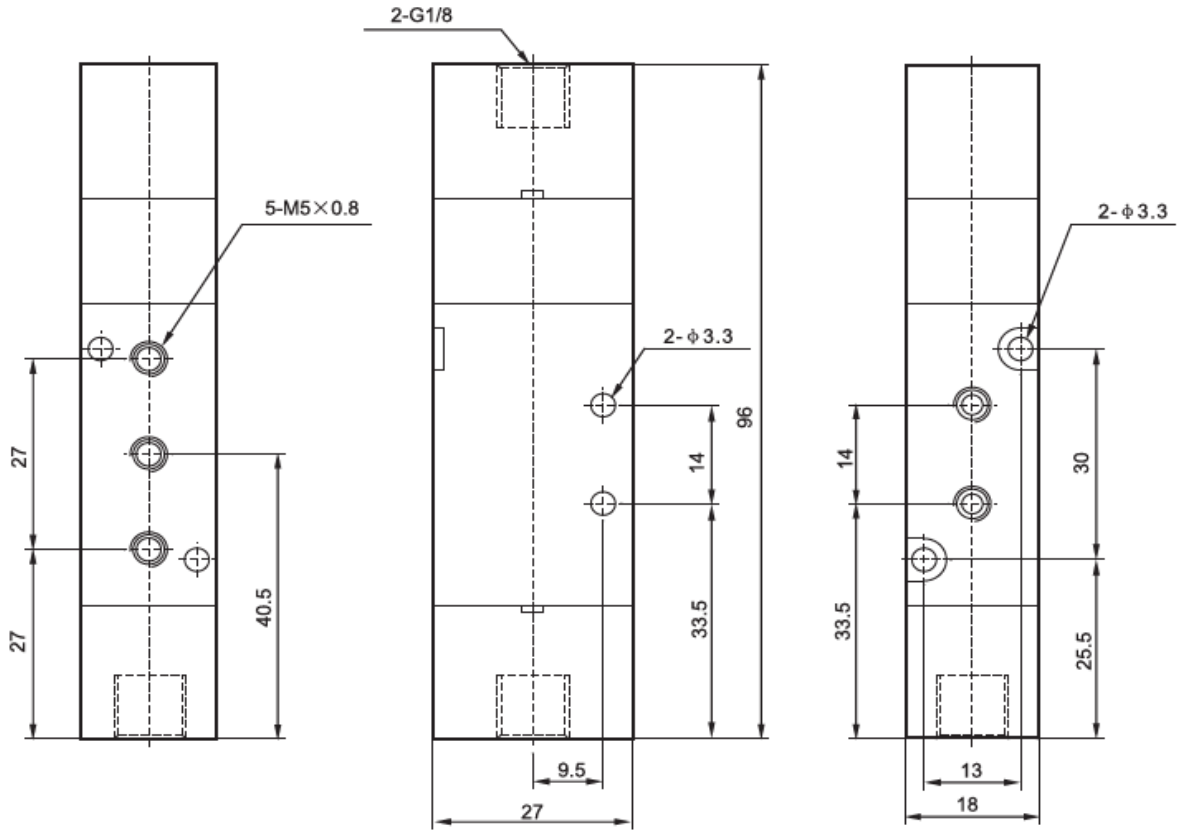
4A120-M5



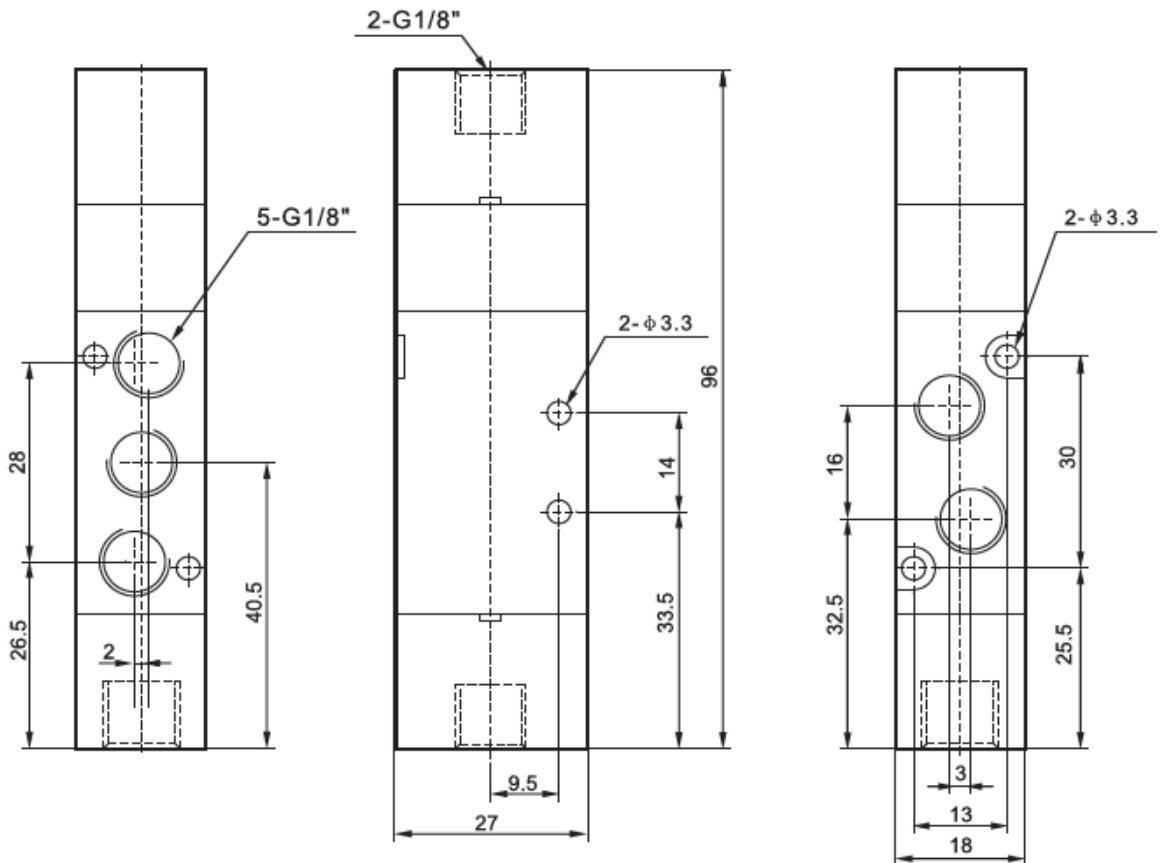
4A120-06



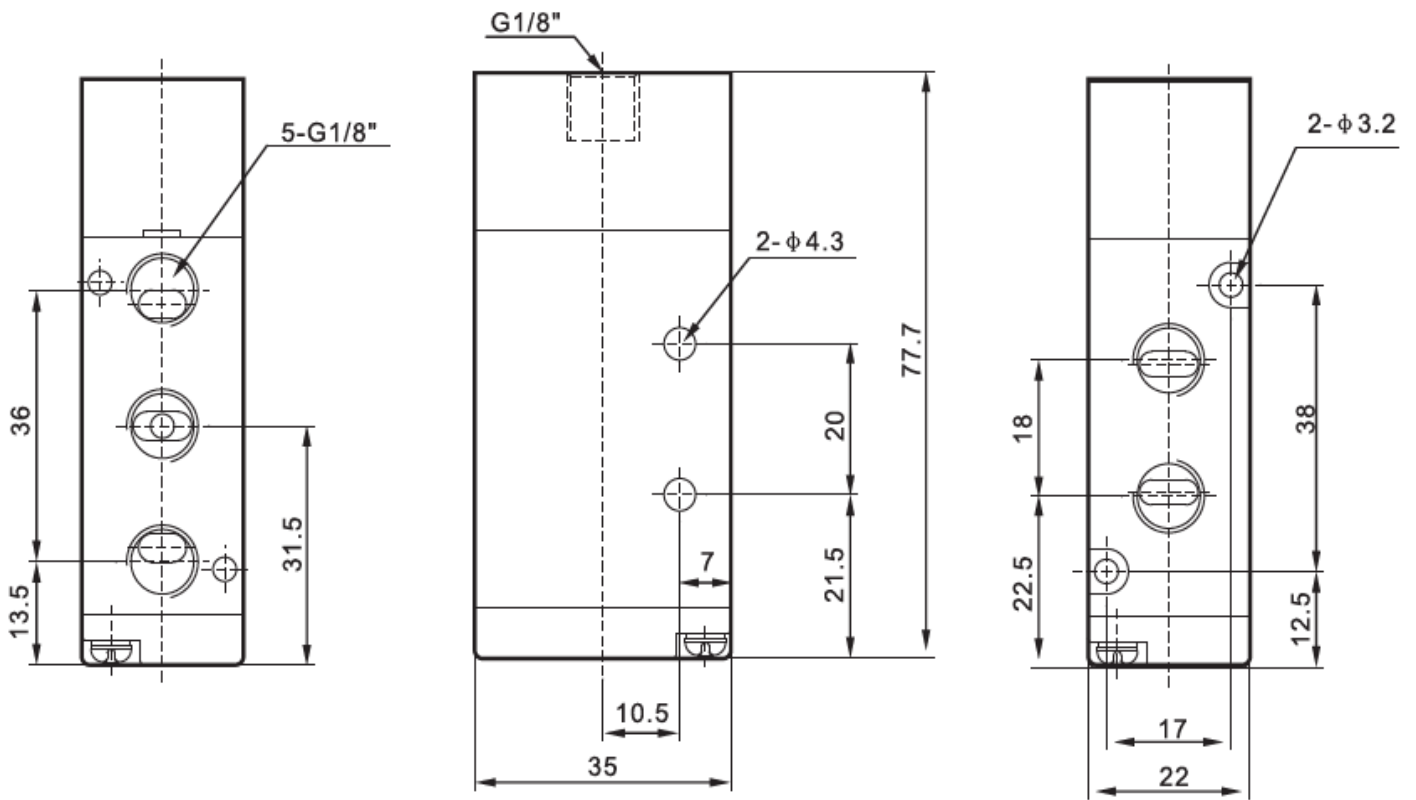
4A130C-M5



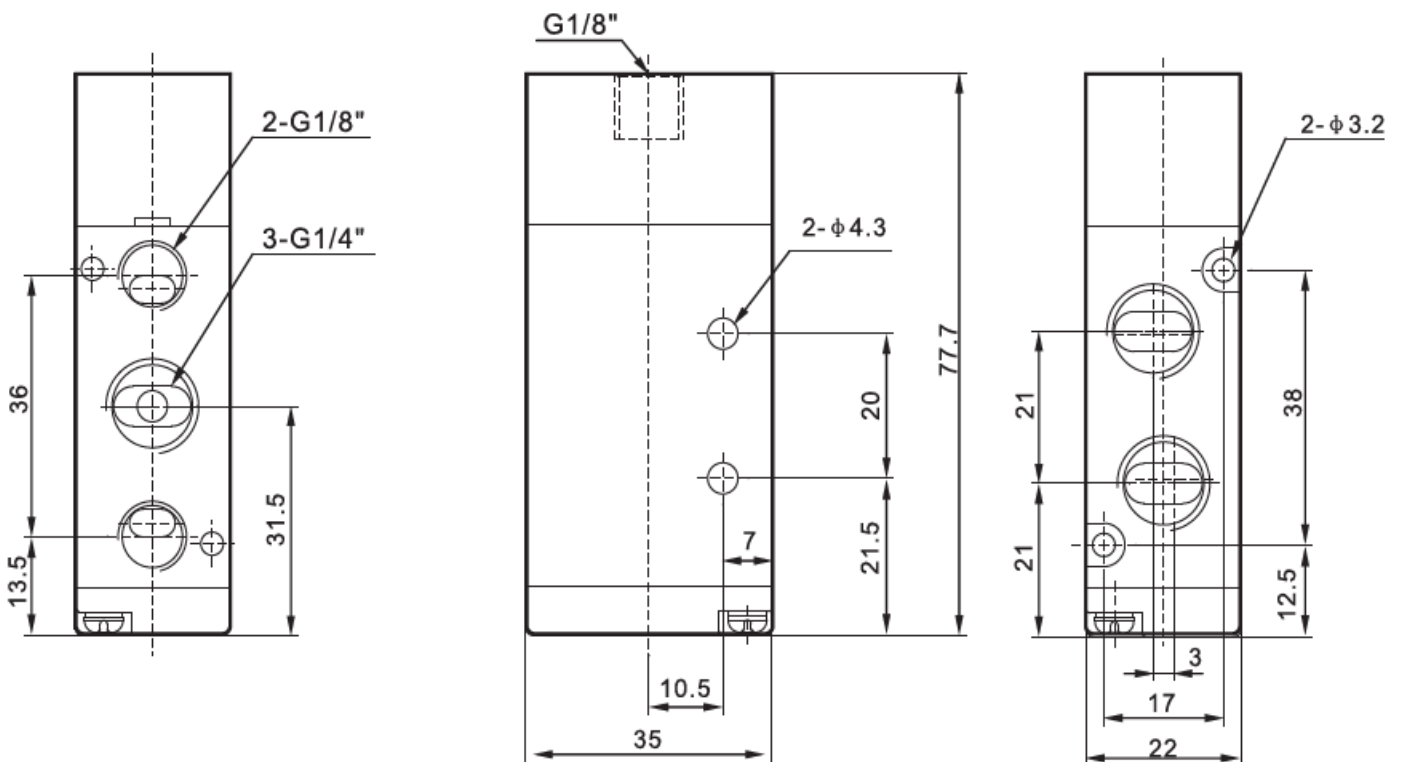
4A130C-06



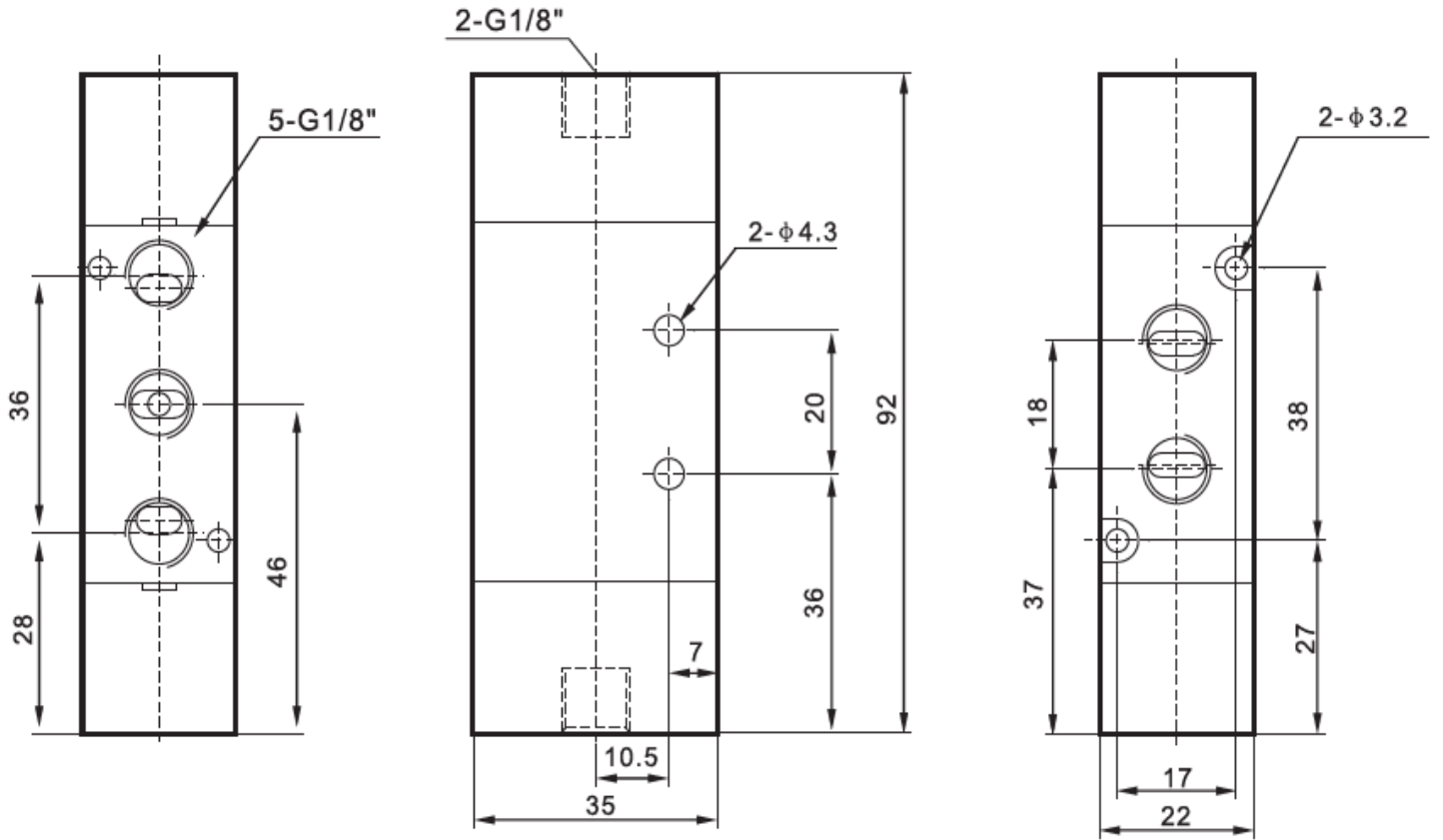
4A210-06



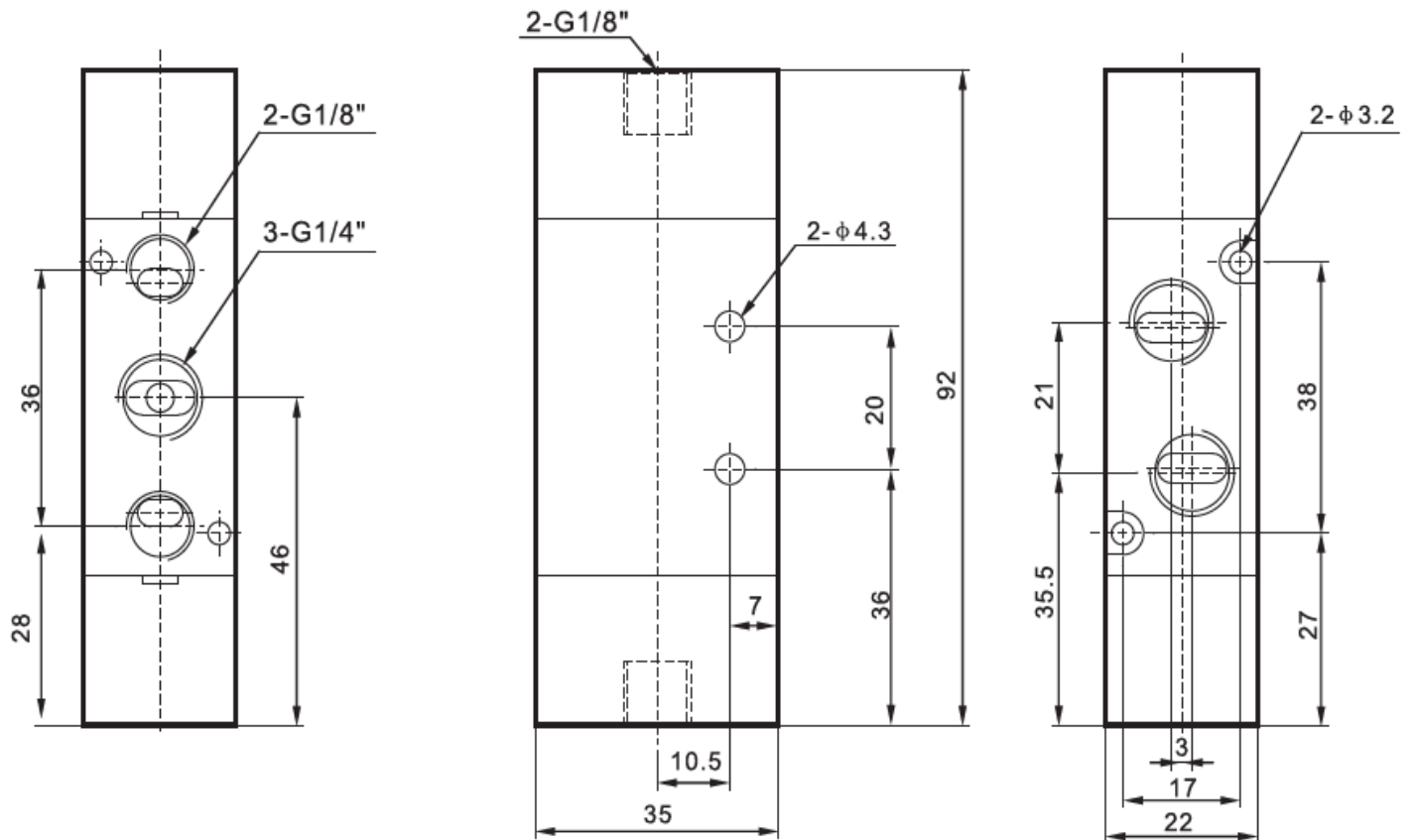
4A210-08



4A220-06

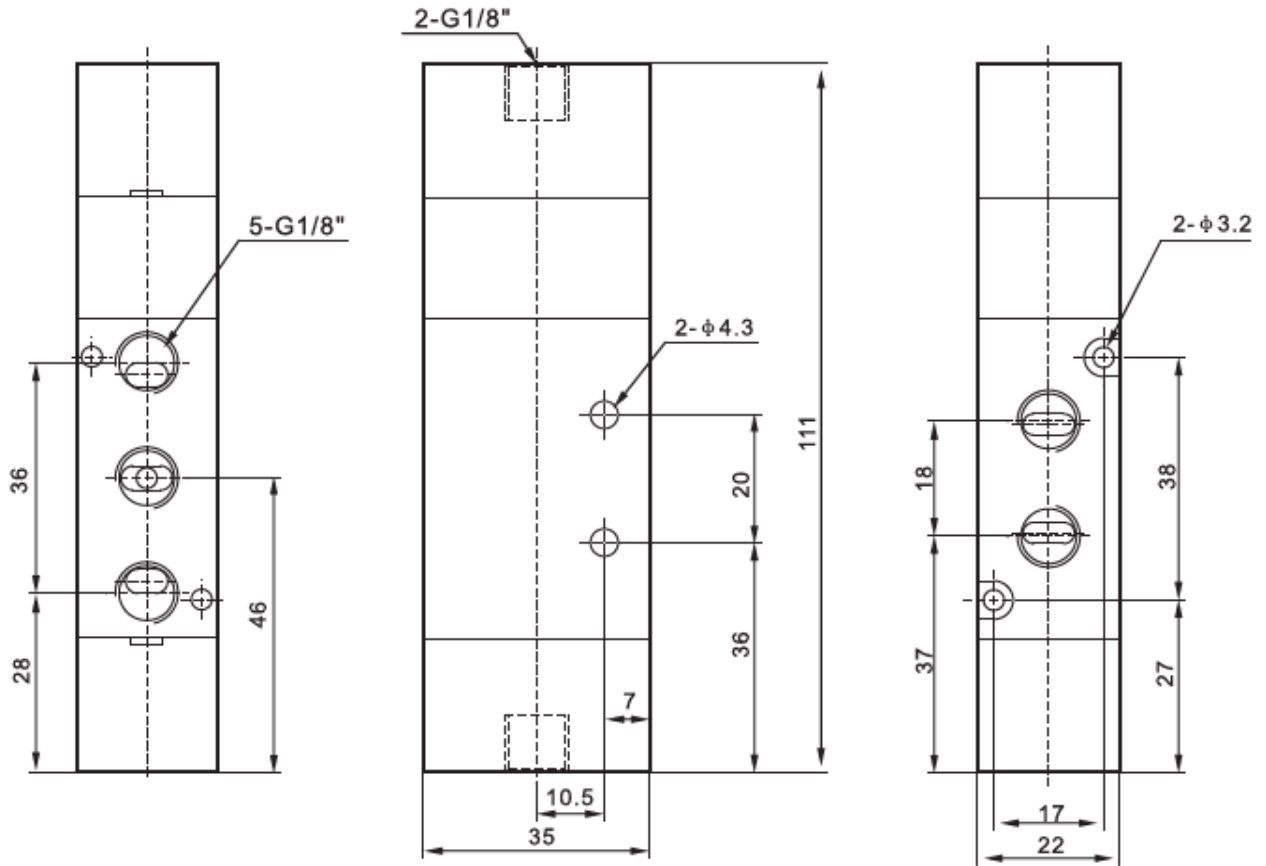


4A220-08

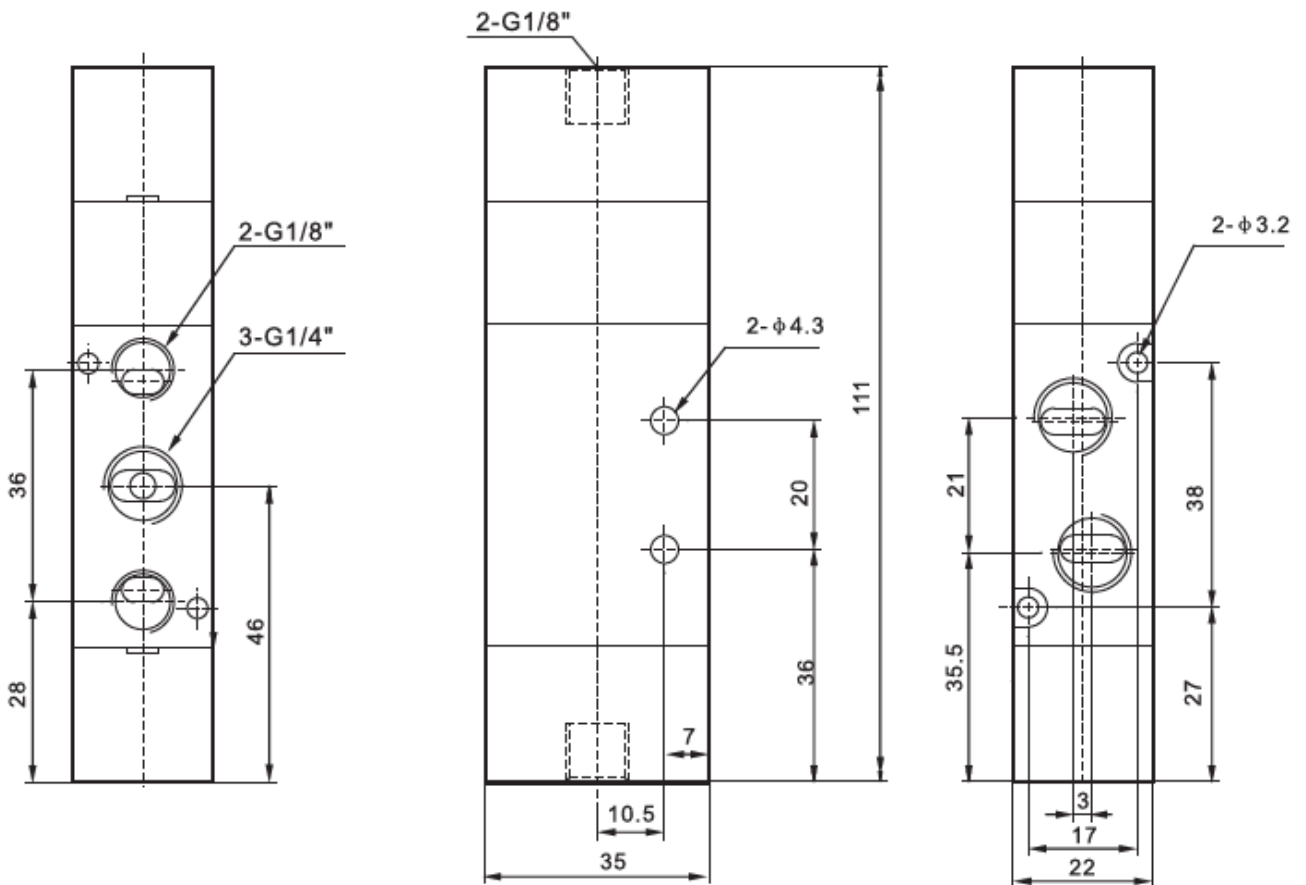




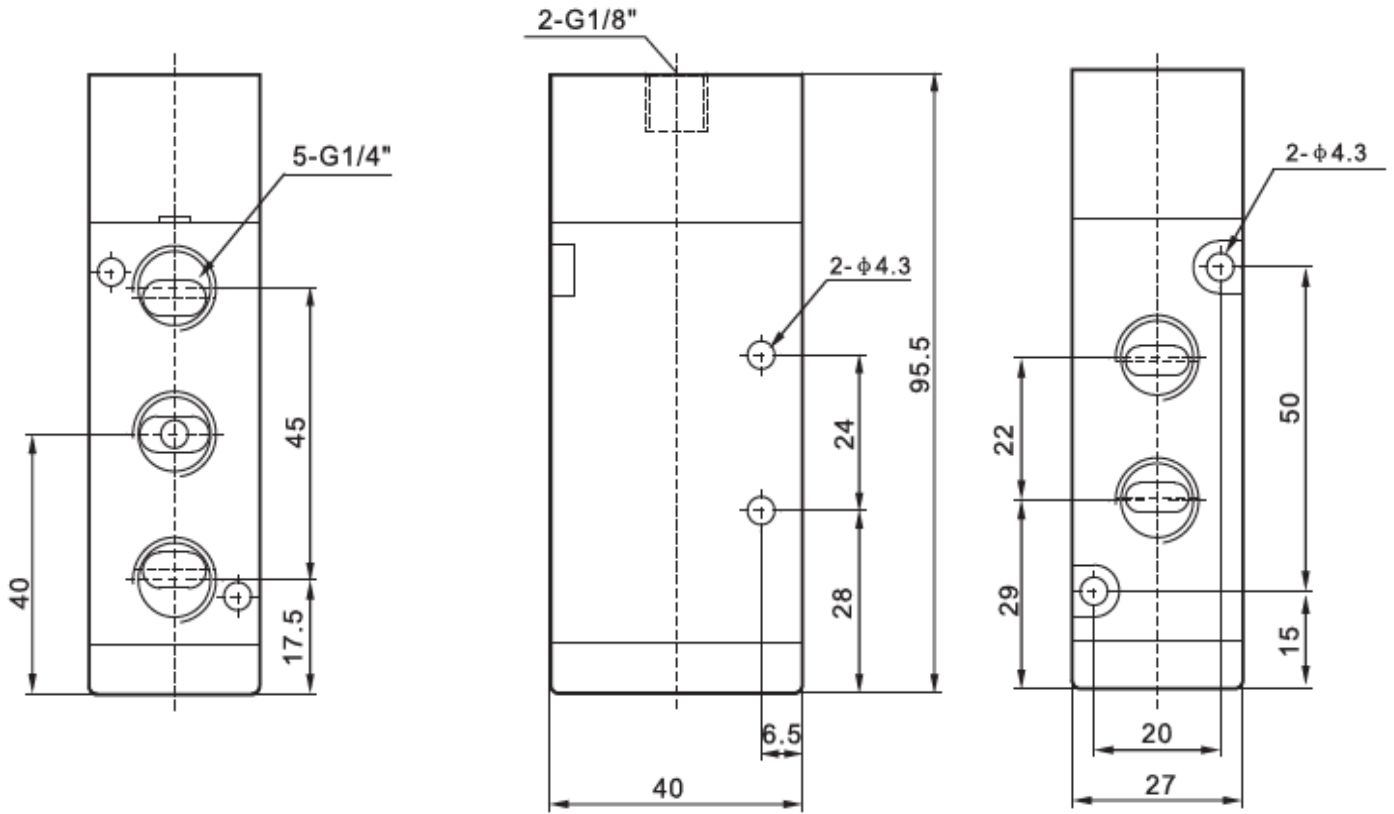
4A230C-06



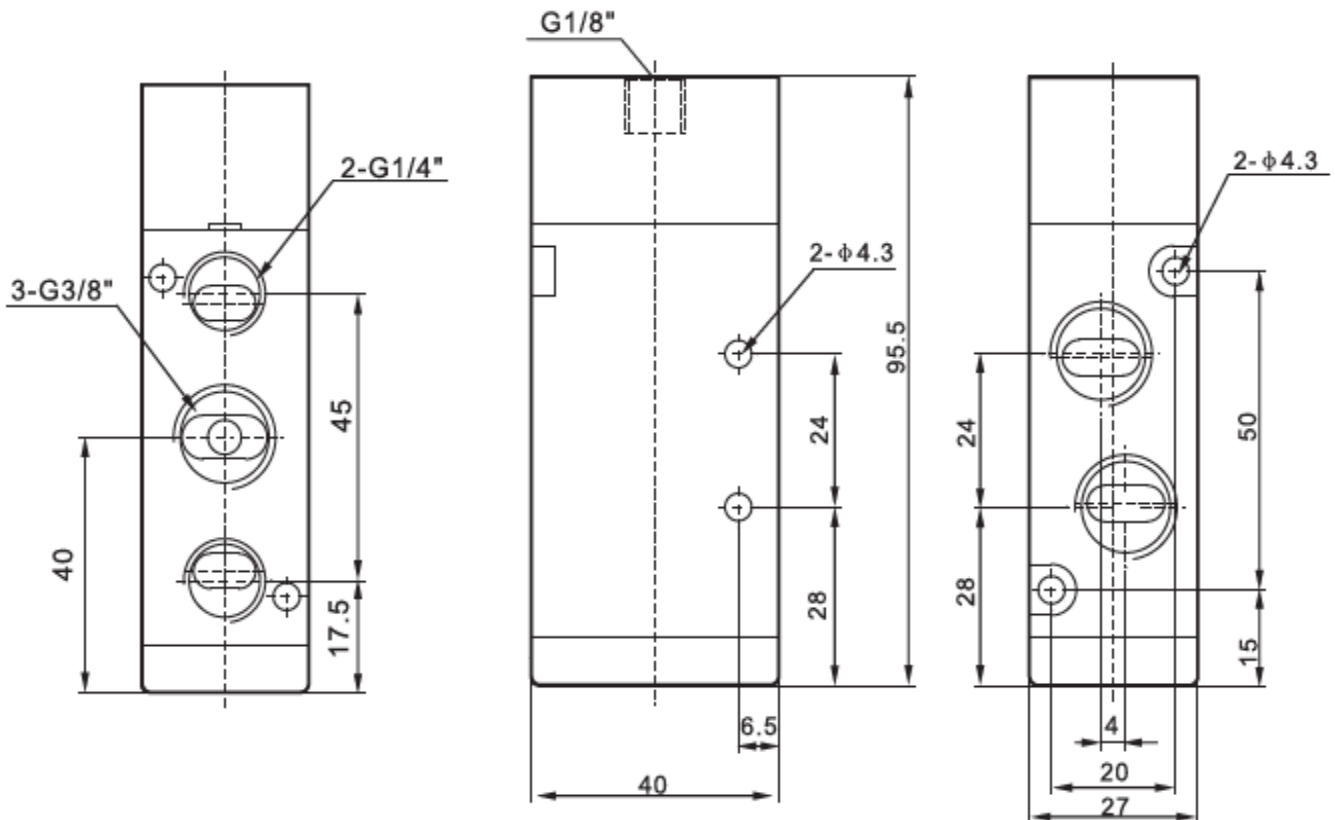
4A230C-08



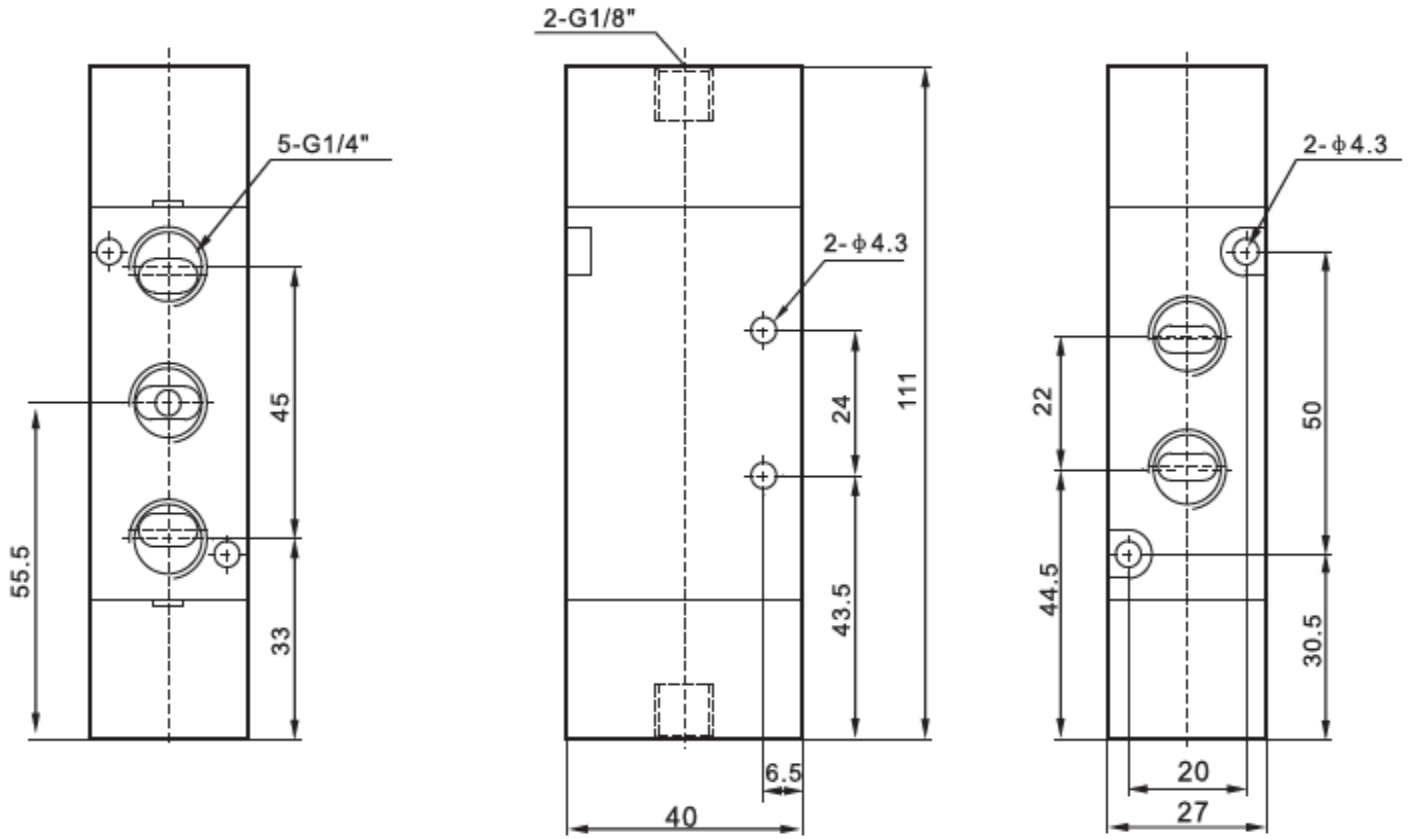
4A310-08



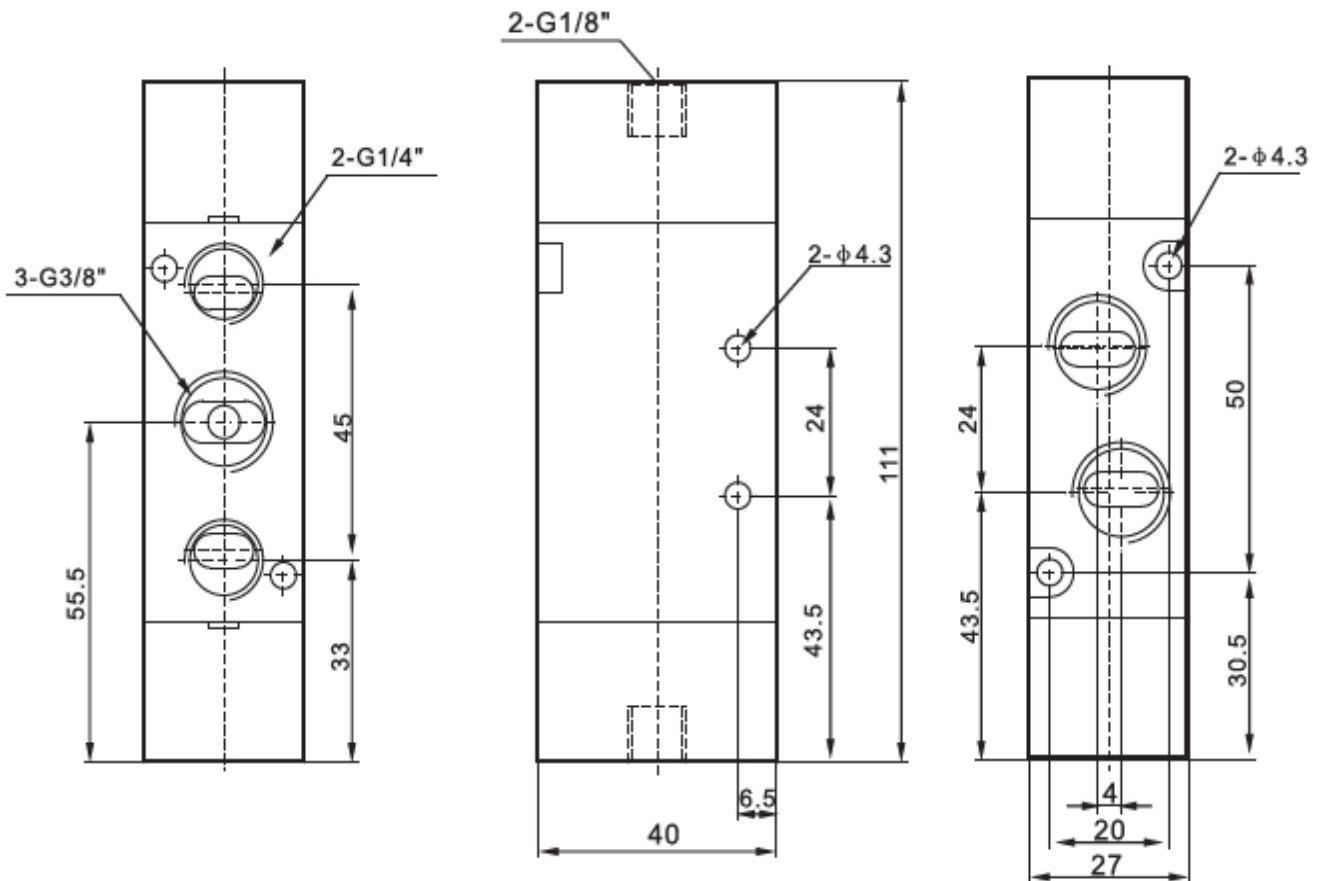
4A310-10



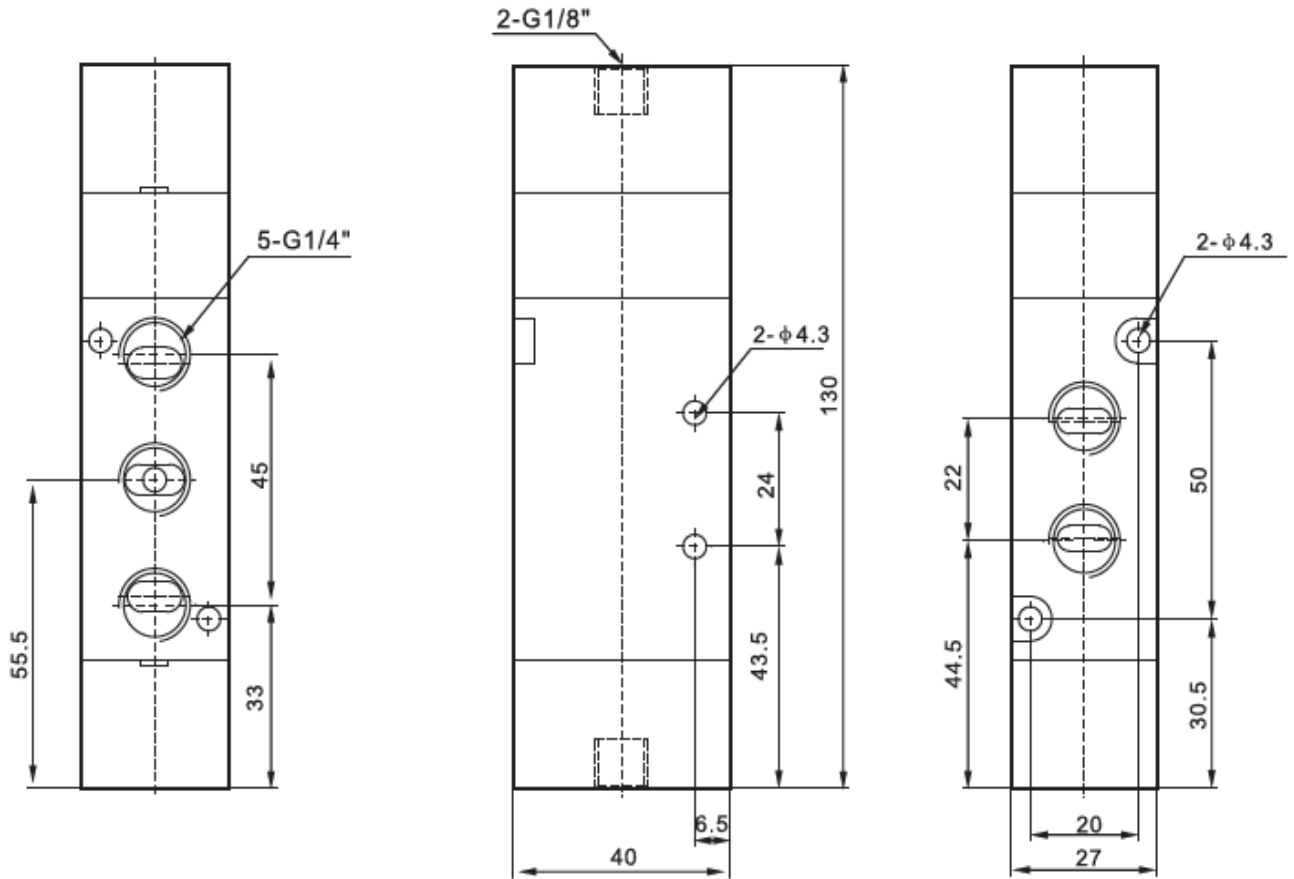
4A320-08



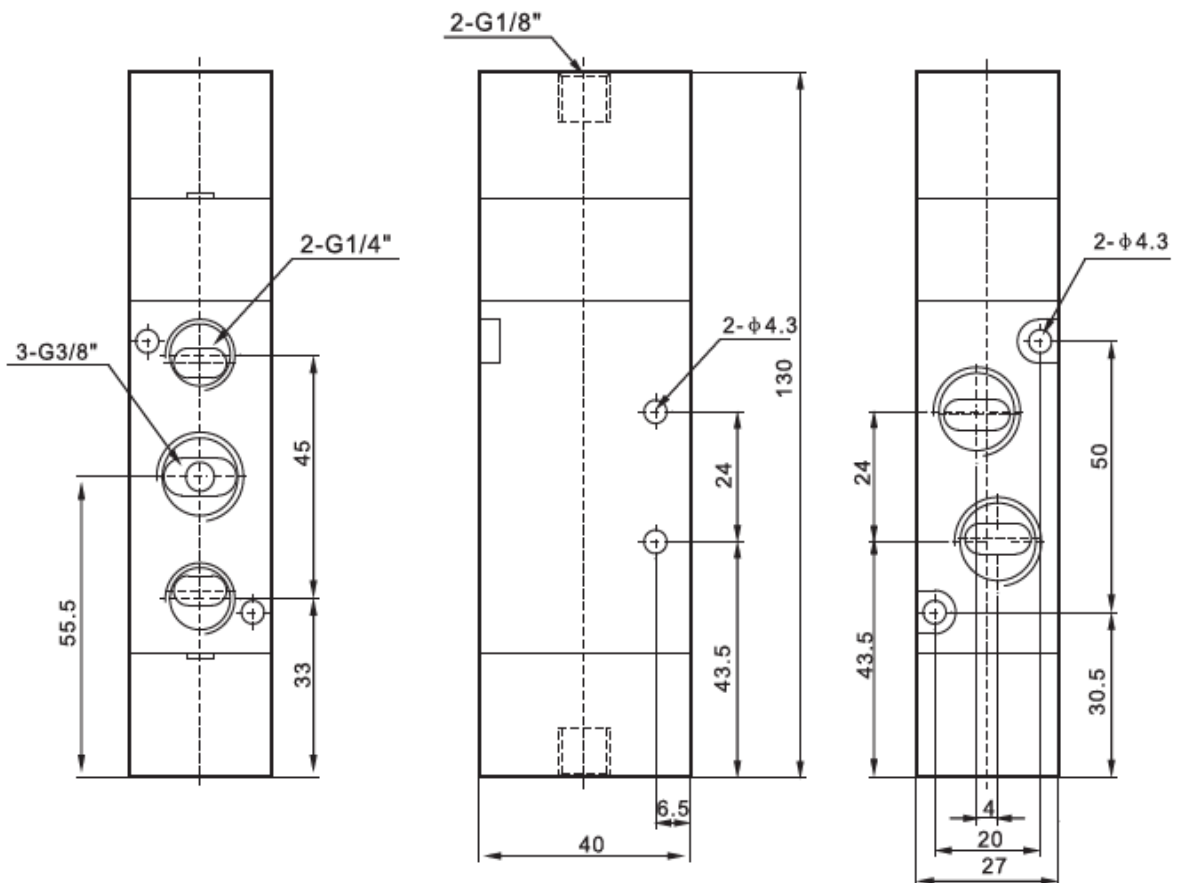
4A320-10



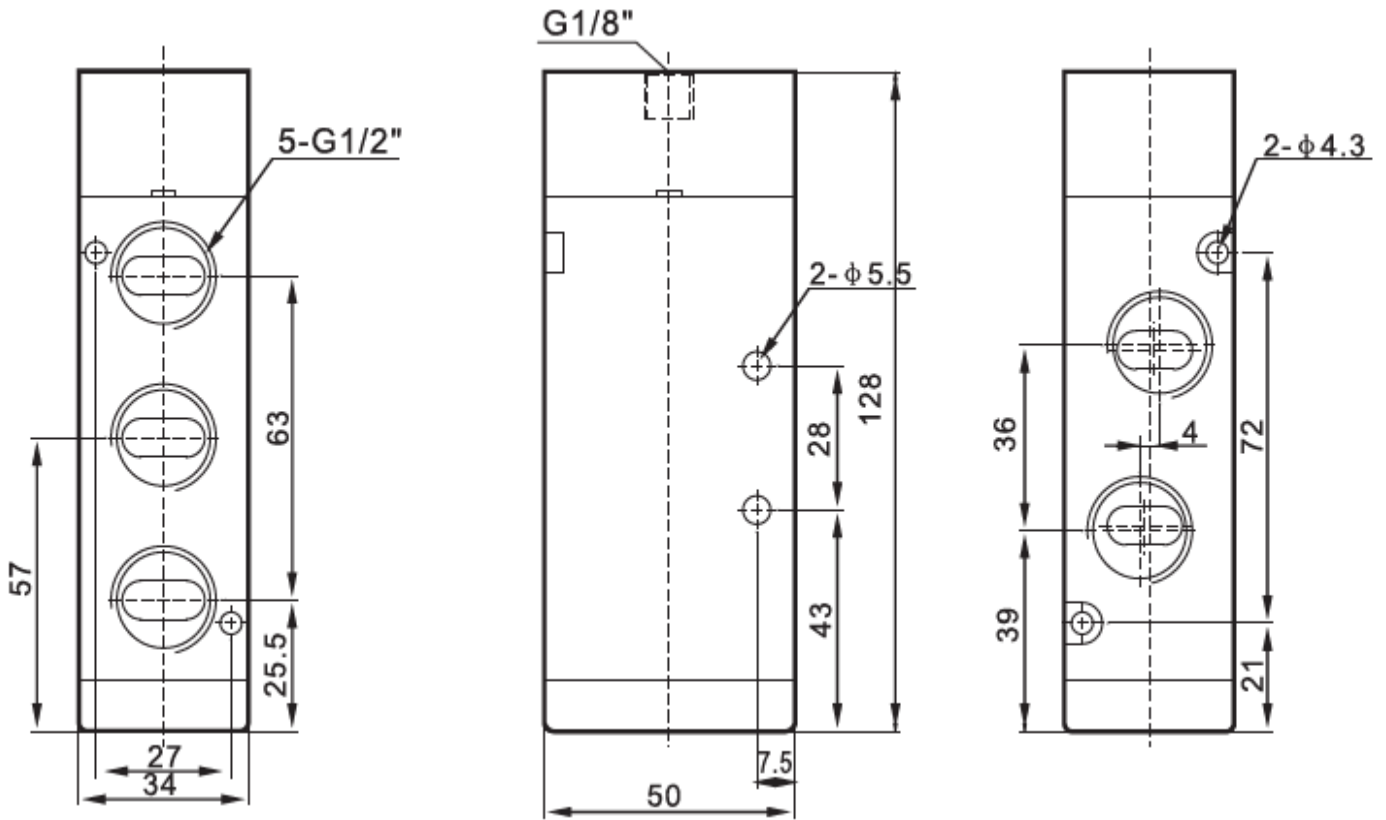
4A330C-08



4A330C-10



4A410-15



4A420-15  
4A430C-15

