

## 3A Series 2positions/3ways Air Control Valve:



3A110-06



3A210-08



3A310-10

### 1.Ordering Code :



#### Air Valve Type

3A: Two positions Three ways air control valve

#### Body size

1: 100 series(M5, G1/8) 2: 200 series(G1/8,G1/4)  
3: 300 series(G1/4,G3/8) 4: 400 series(G1/2)

#### Coil and position

10: Single-head for two positions  
20: Double-head for two positions  
30C: Double-head center close type for three positions  
30E: Double-head center exhaust type for three positions  
30P: Double-head center pressure type for three positions

#### Connecting port size

06: G1/8      08: G1/4      M5: M5x0.8  
10: G3/8      15: G1/2

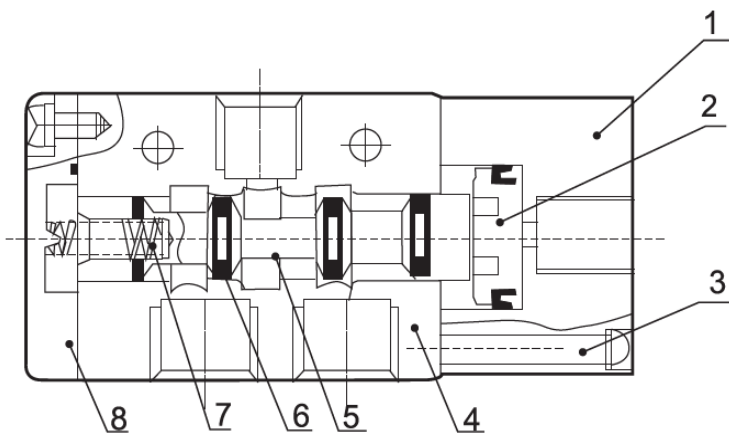
#### Normal close or normal open

Blank: Normal close  
NO: Normal open

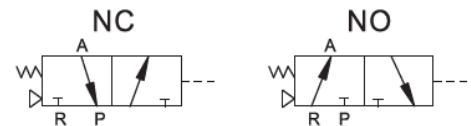
## 2.Characteristics:

- 1) This series air valves are with high dust prevention.
- 2) Different sealing materials are available like NBR, EPDM, VITON.
- 3) Pressure unit:  $1\text{kgf/cm}^2=1\text{bar}=0.1\text{MPa}=100\text{KPa}=14.5\text{psi}$
- 4) Different thread types can be offered according to customers' requirements, e.g.: PT, NPT etc.

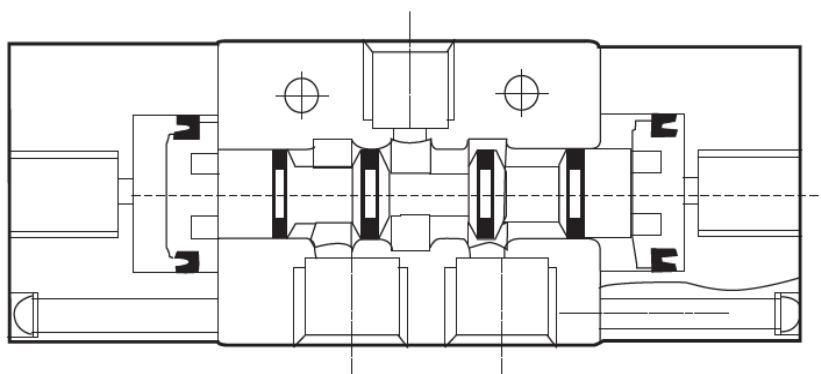
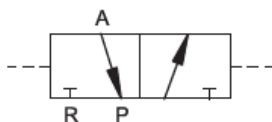
## 3.Internal Structure:



**Single-Head Type**



**Double-Head Type**



No.:	Designation	No.:	Designation	No.:	Designation
1.	Air control cover	4.	Valve body	7.	Spring
2.	Piston	5.	Spool	8.	Rear cover
3.	Screw	6.	O ring		

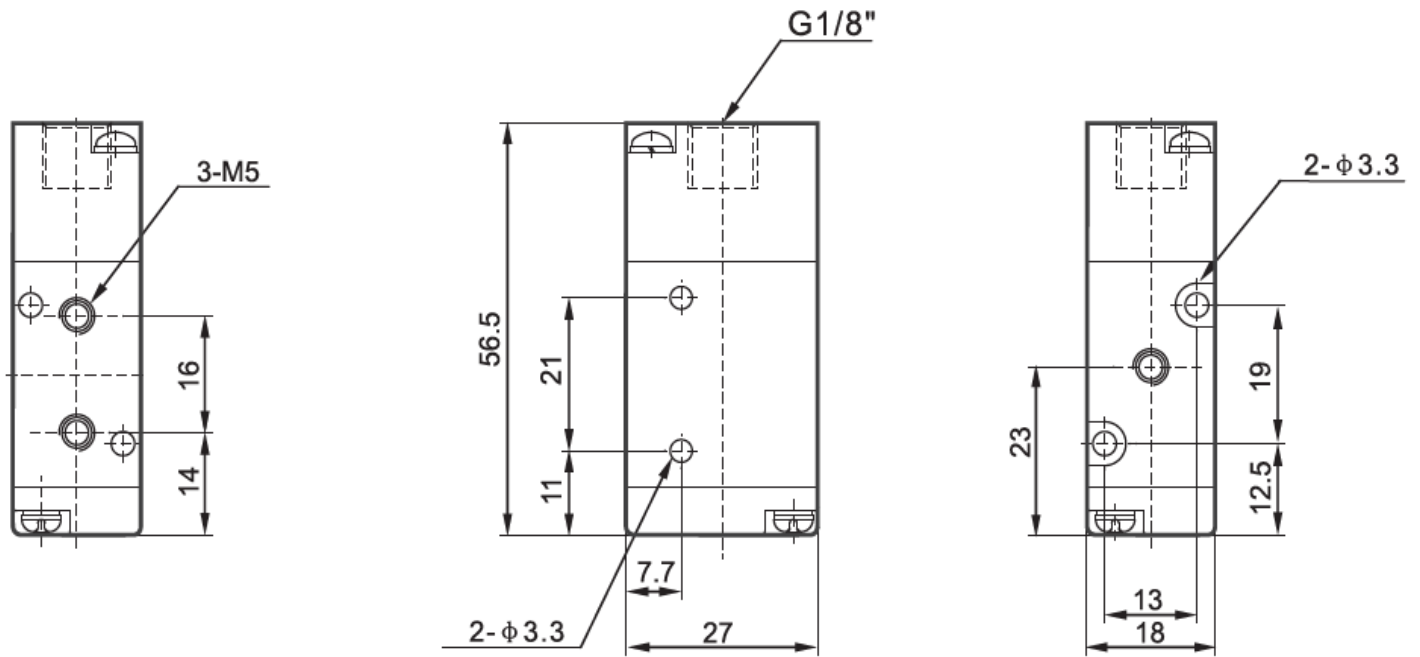
#### 4. Specification:

Model	Acting head	3A100 Series		3A200 Series		3A300 Series		3A400 Series
	Single head	3A110-M5	3A110-06	3A210-06	3A210-08	3A310-08	3A310-10	3A410-15
	Double head	3A120-M5	3A120-06	3A220-06	3A220-08	3A320-08	3A320-10	3A420-15
Applicable medium		≤40μ Filtered Air						
Motion pattern		Inner guide type						
Working pressure		0.15~0.8 MPa						
Proof Pressure		1.2MPa						
Temperature range		NBR: 5°C~50°C						
Port size		M5x0.8	G1/8	G1/8	G1/4	G1/4	G3/8	G1/2
Effective section area (mm <sup>2</sup> )		10	12	14	16	25	30	50
Cv Value		0.56	0.67	0.78	0.89	1.4	1.68	2.79
Material of body		Aluminum alloy						
Highest action frequency		5 cycles/second						
Shortest excitation time		0.05 s						
Sealing material		NBR or VITON						

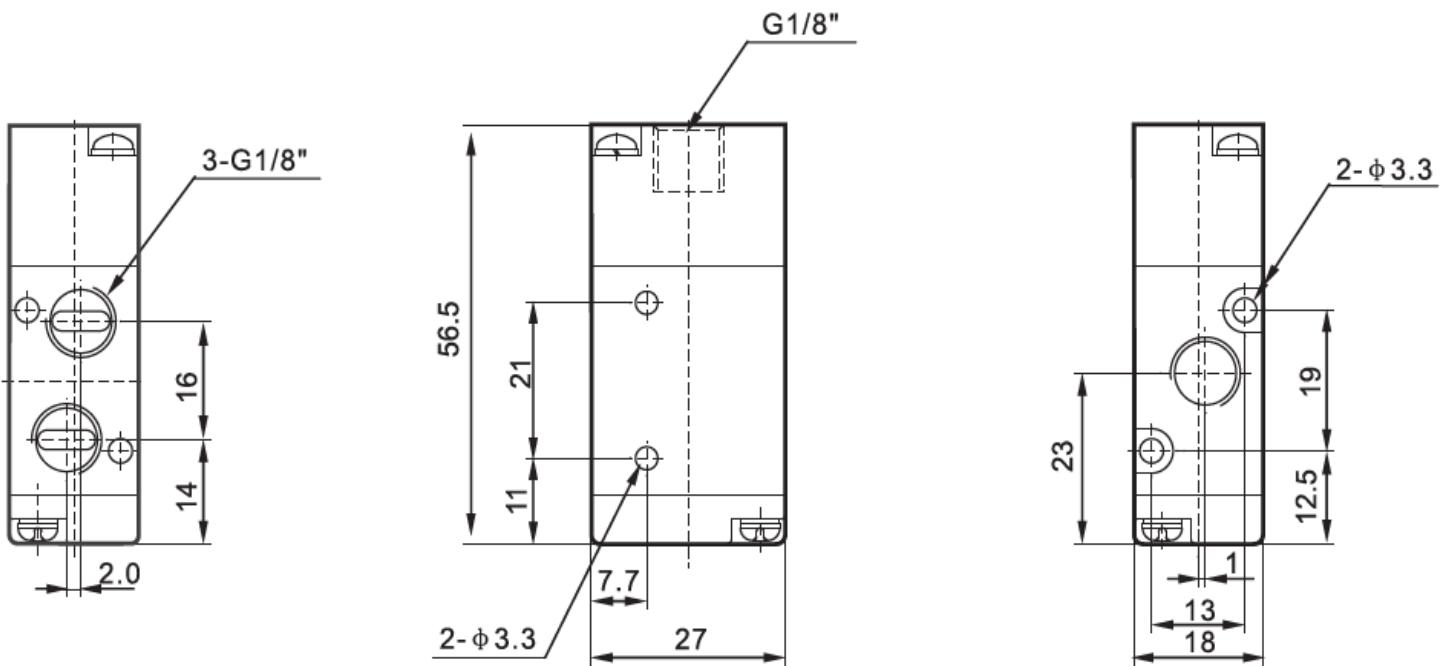
\* 1 kgf/cm<sup>2</sup> = 1 bar = 0.1 Mpa = 100KPa = 14.5psi

5. Overall and Dimension Sheet:

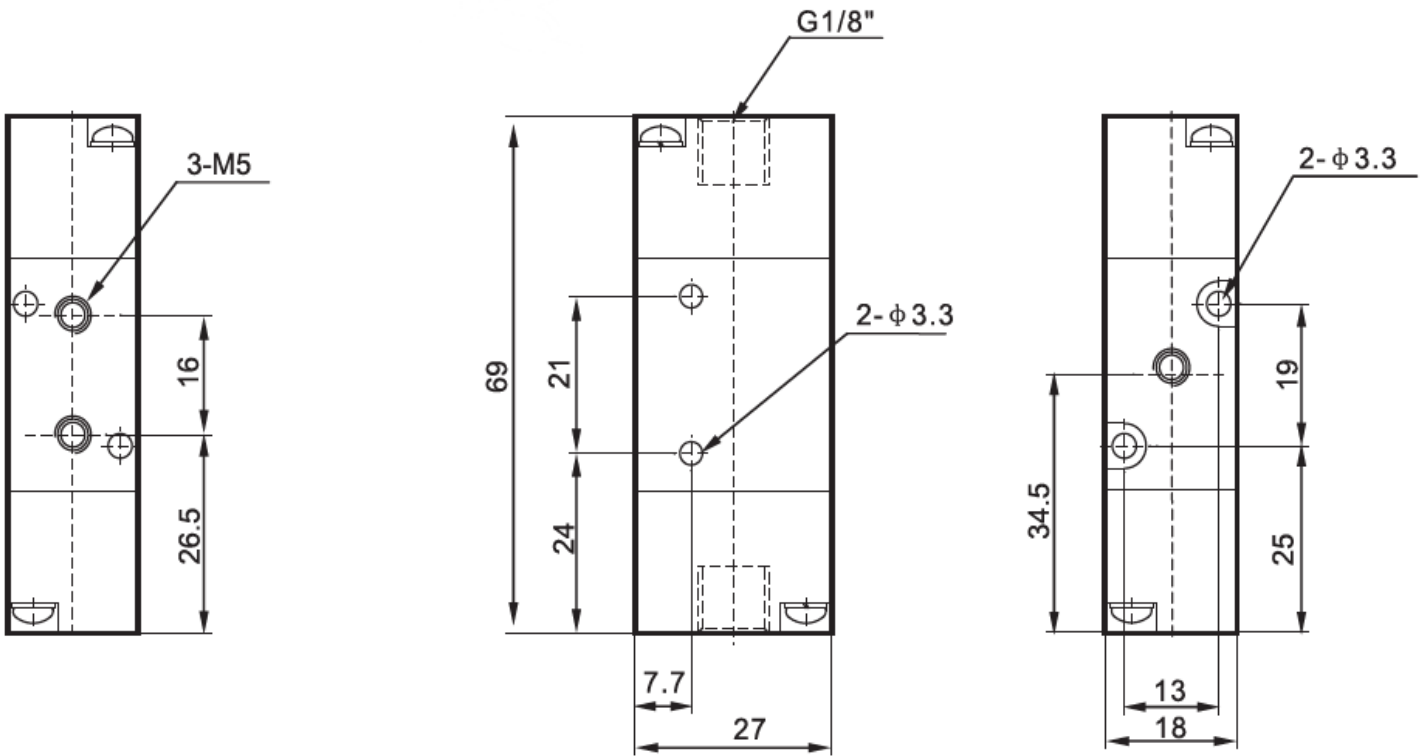
**3A110-M5**



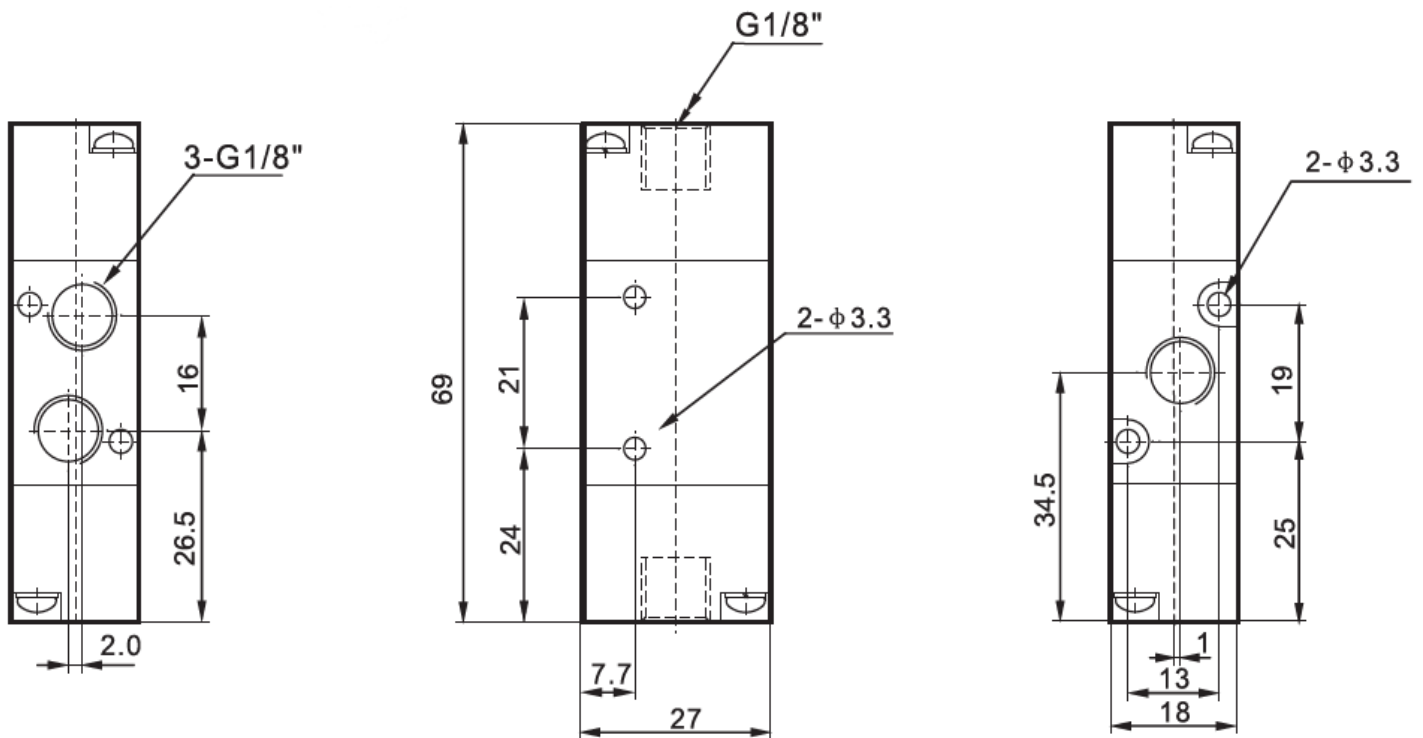
**3A110-06**



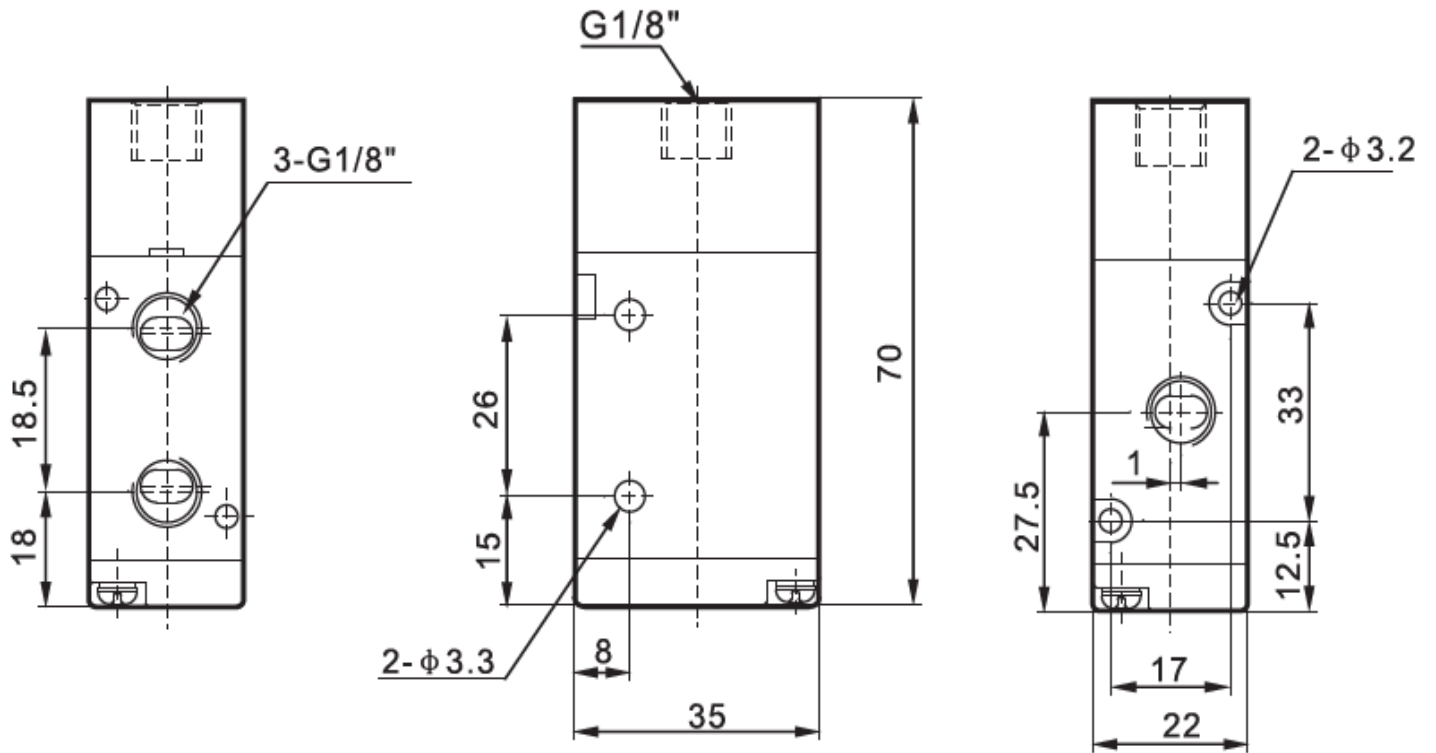
3A120-M5



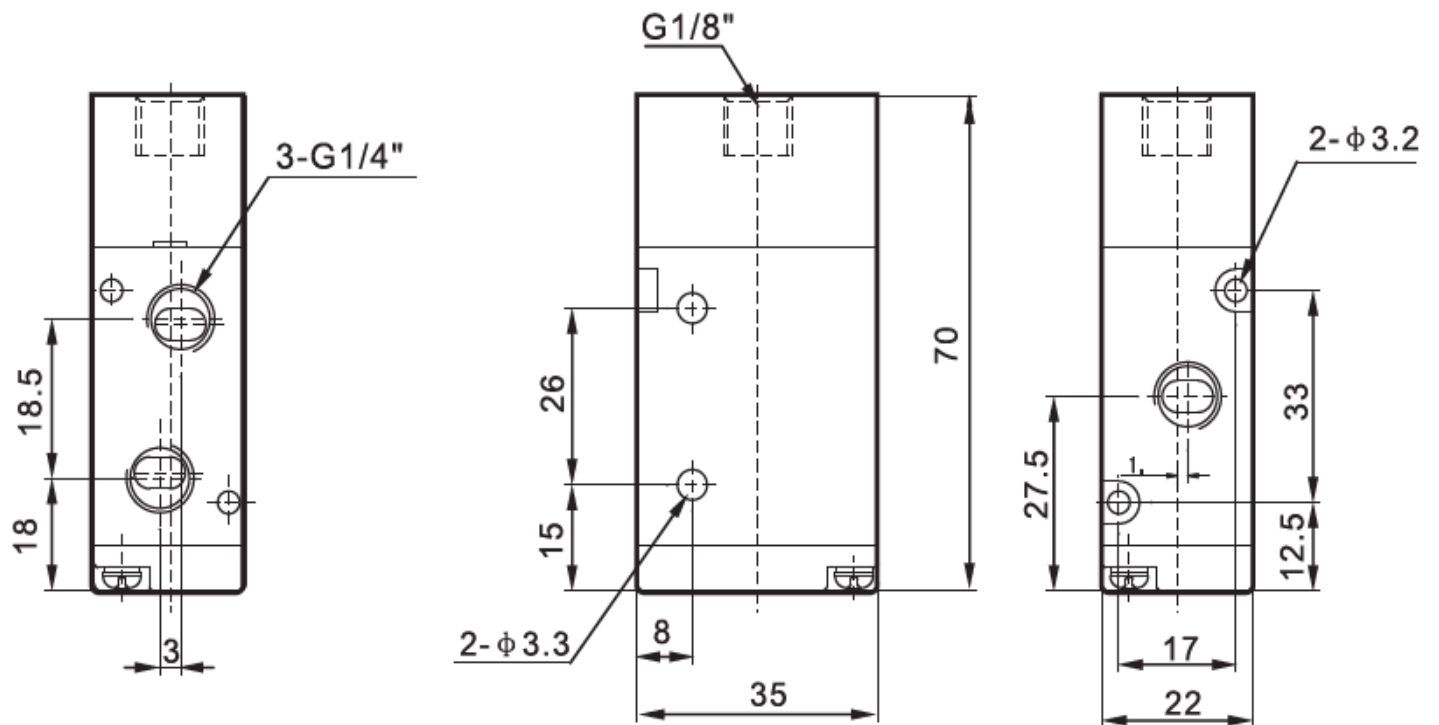
3A120-06



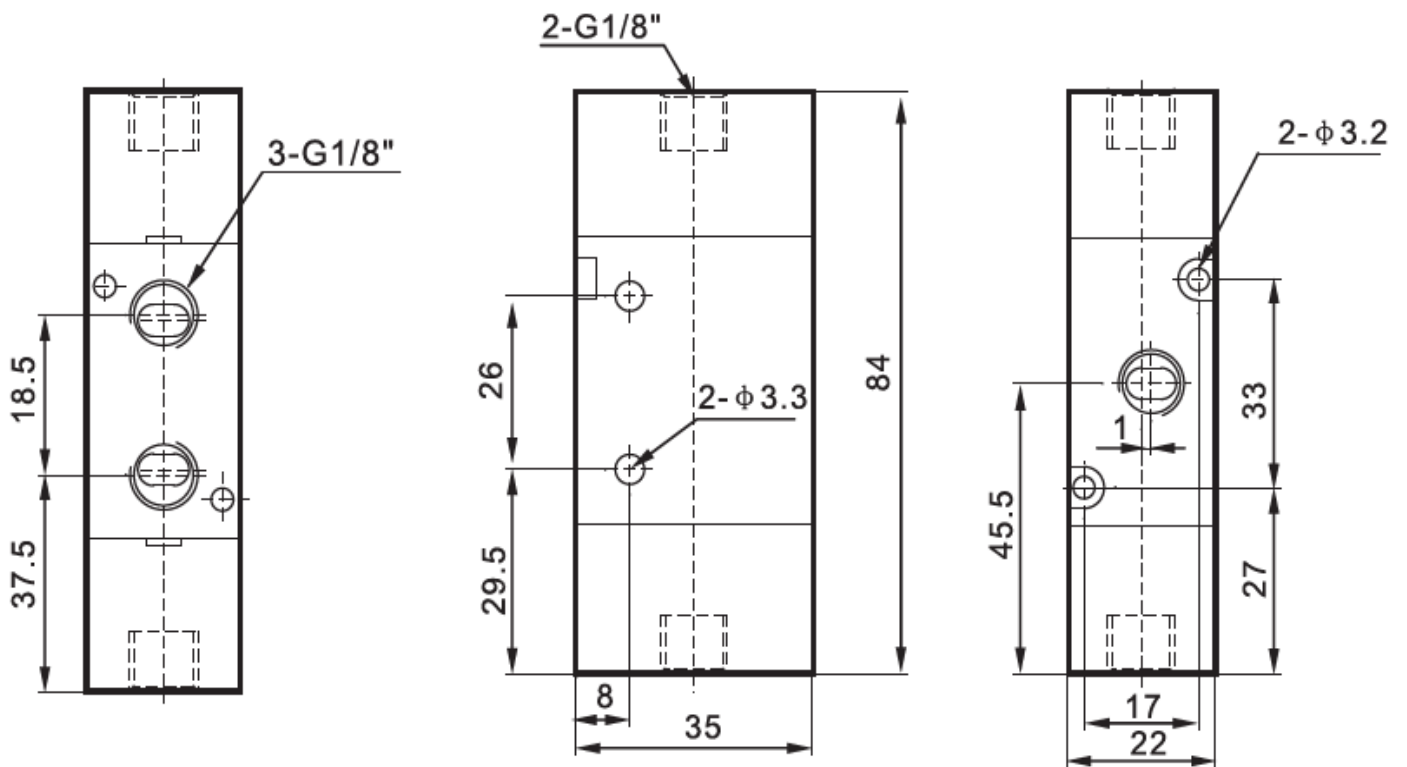
3A210-06



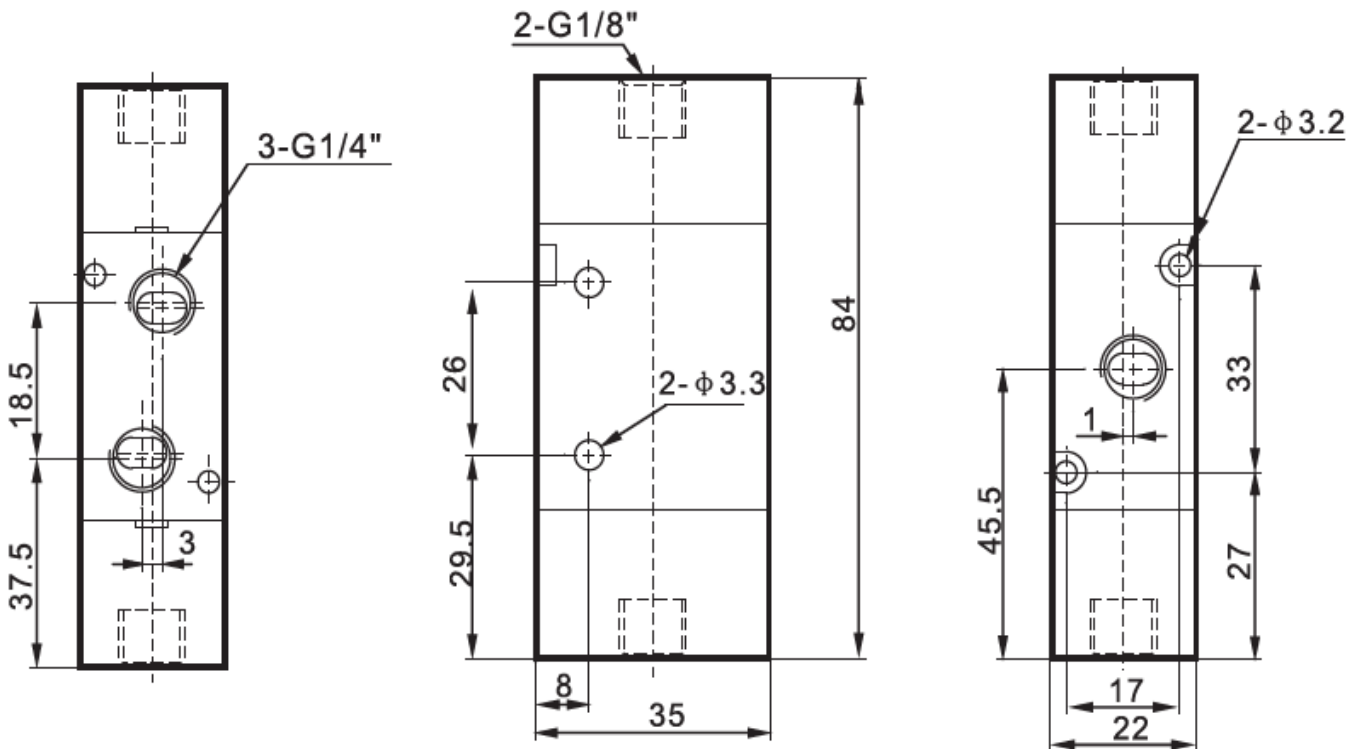
3A210-08



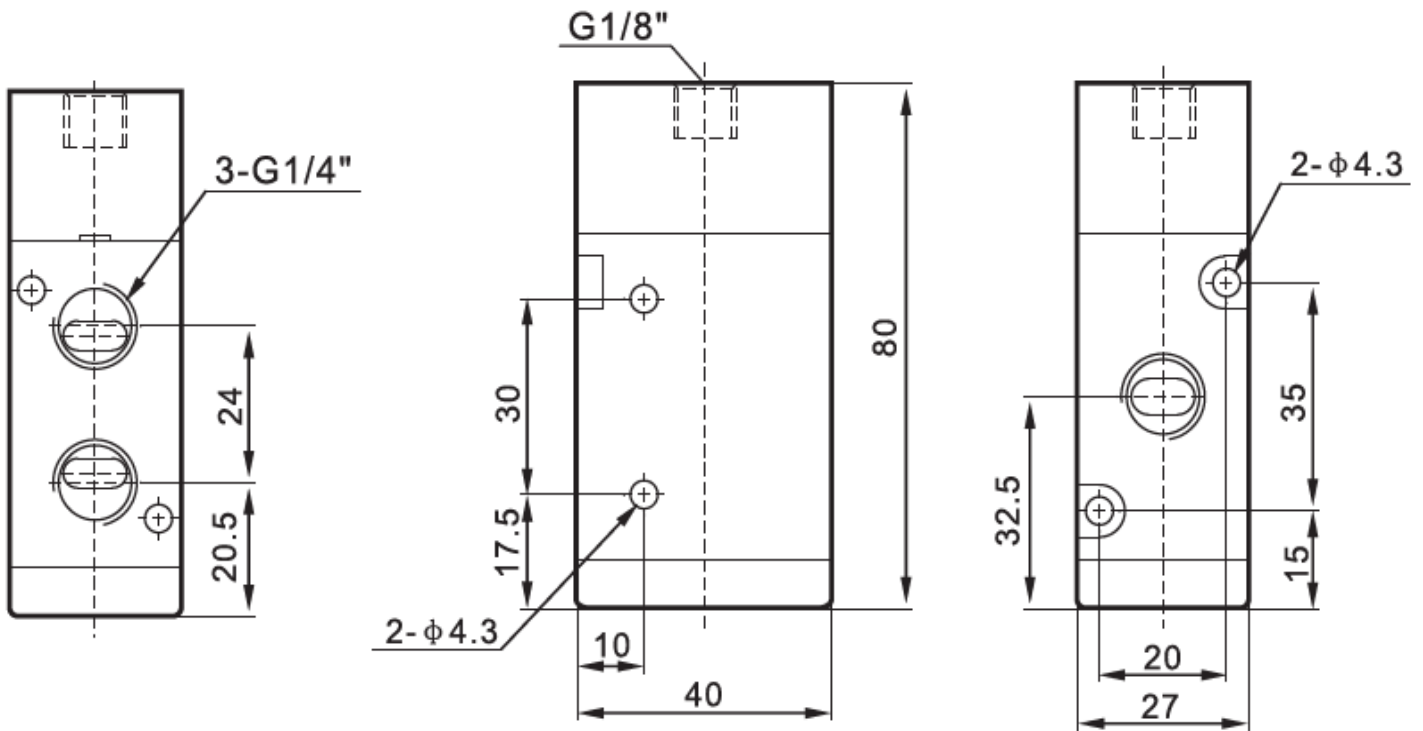
3A220-06



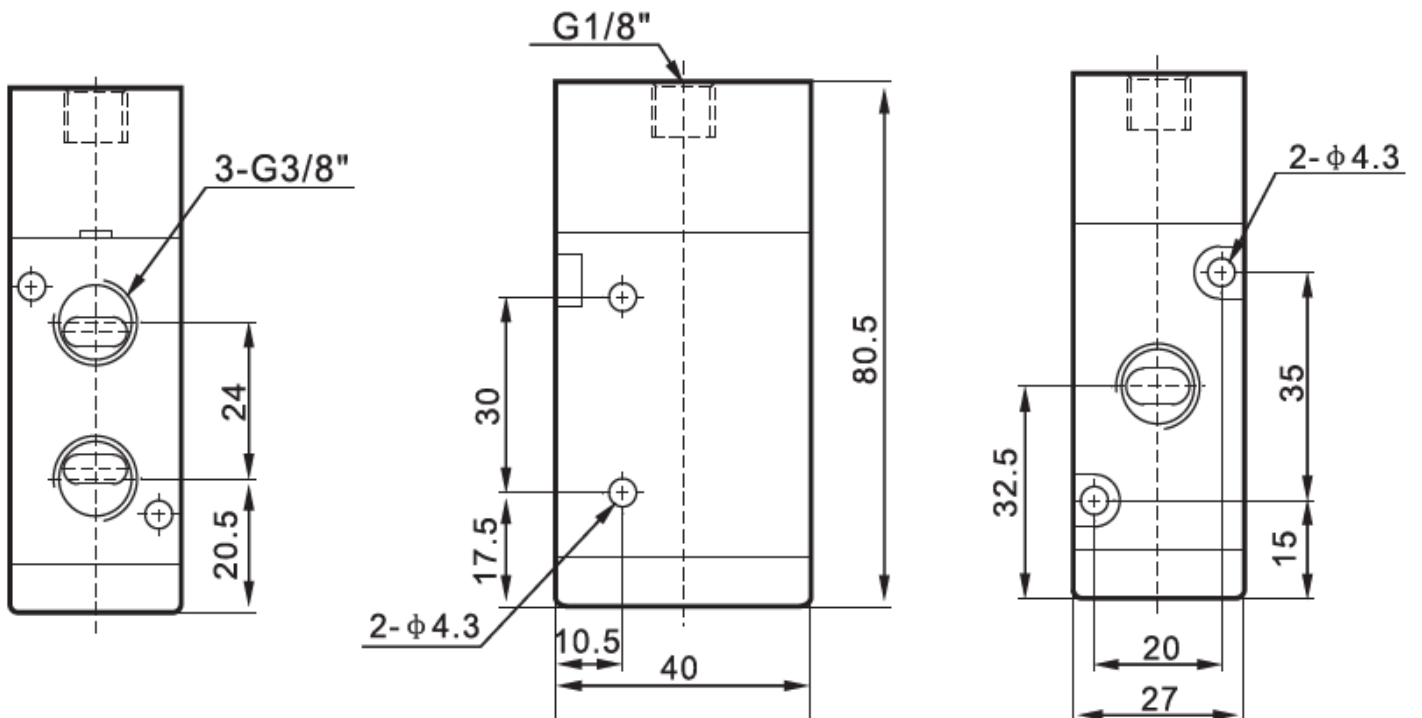
3A220-08



3A310-08

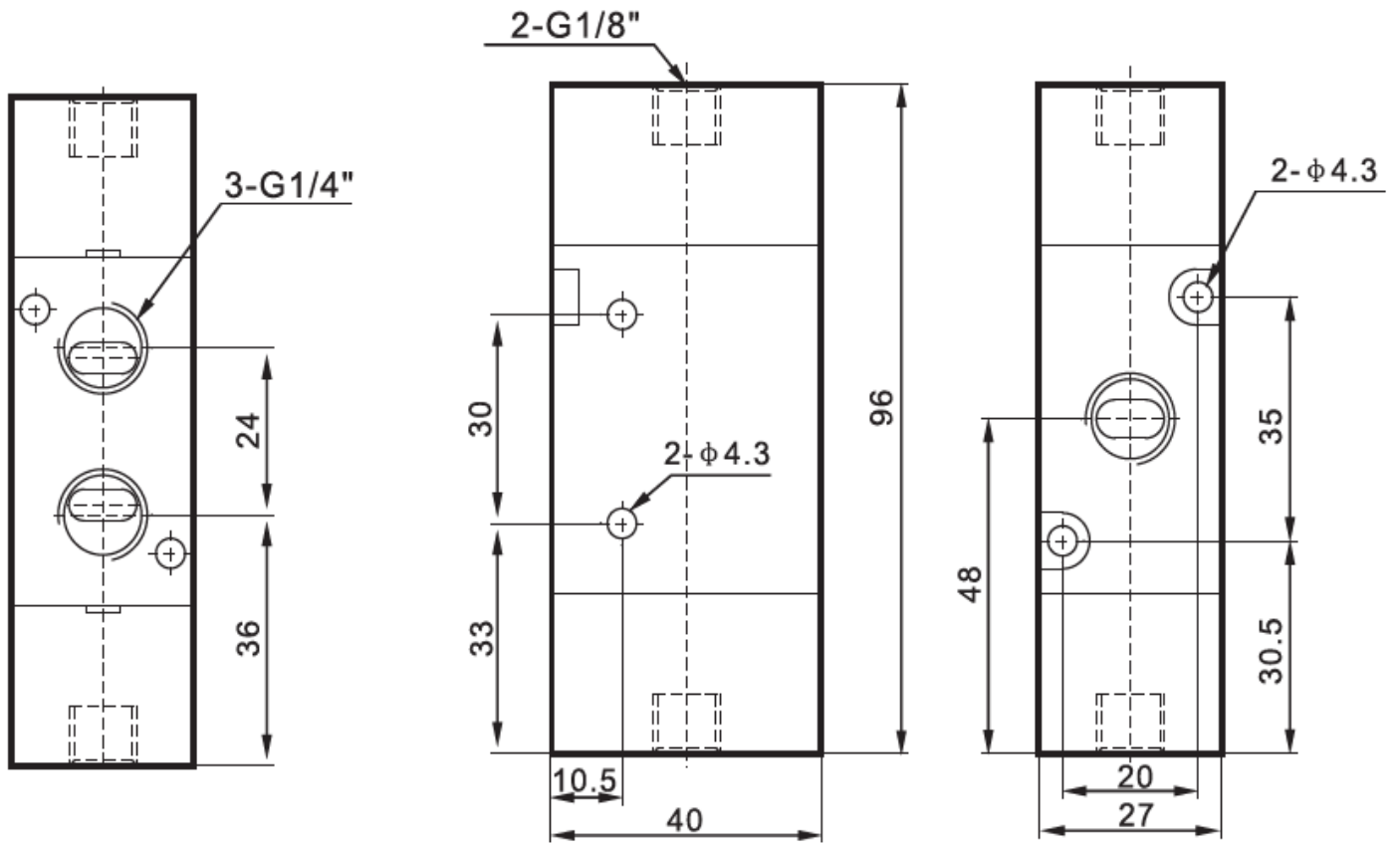


3A310-10

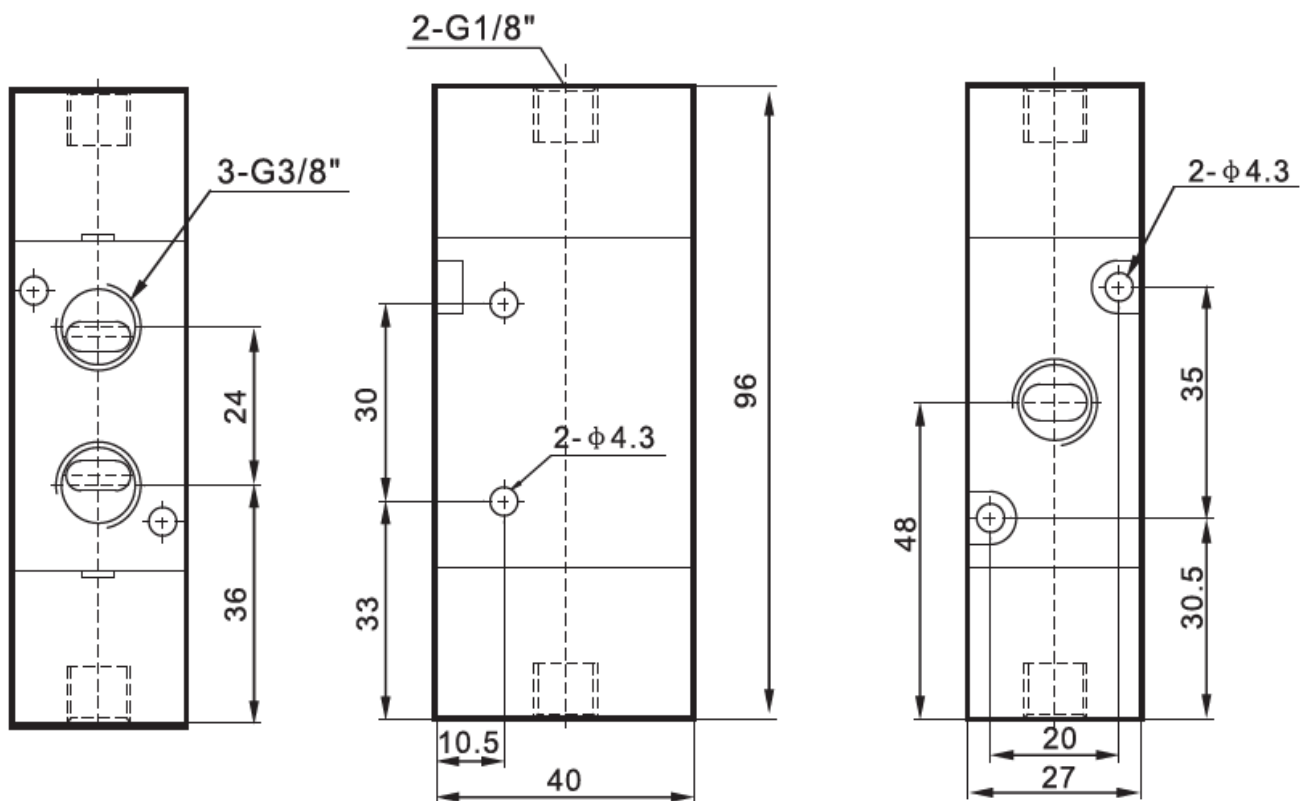




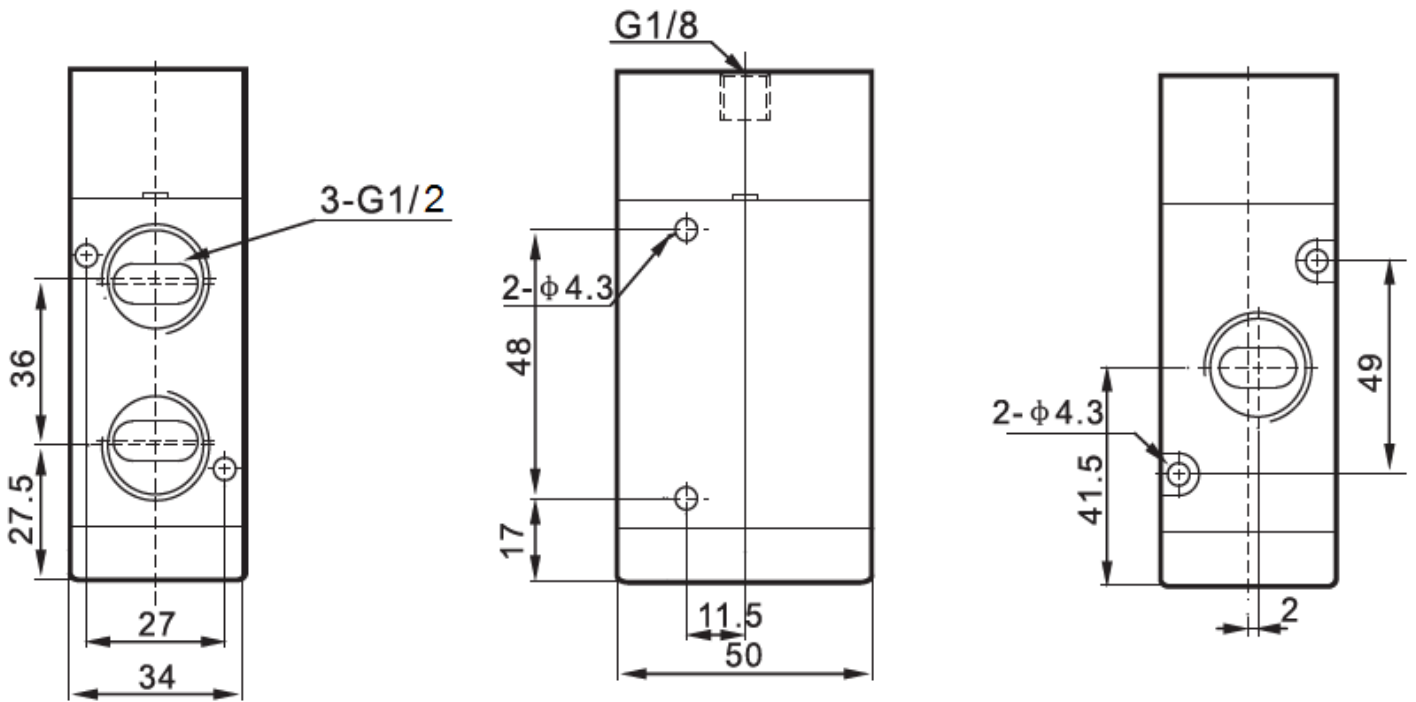
3A320-08



3A320-10



3A410-15



3A420-15

