

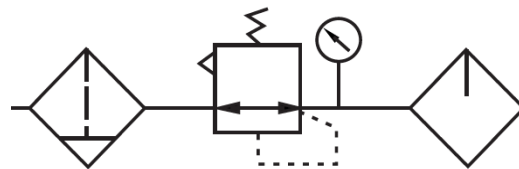
AC Series FR.L Combination:



1.Ordering Code :

AC	5000	-	10	-	□
↑	↑		↑		↑
Model	Body size		Port size		Blank: Manual
FR.L Combination	1000		M5: M5X0.8		D:With Autodrain
	2000		01: G1/8		
	3000		02: G1/4		
	4000		03: G3/8		
	5000		04: G1/2		
			06: G3/4		
			10: G1		

Graphic Symbol



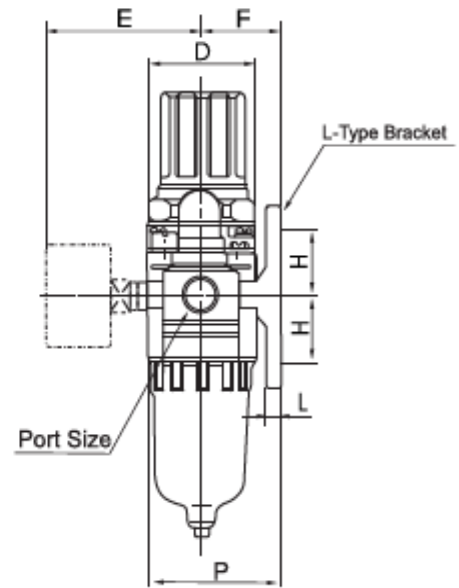
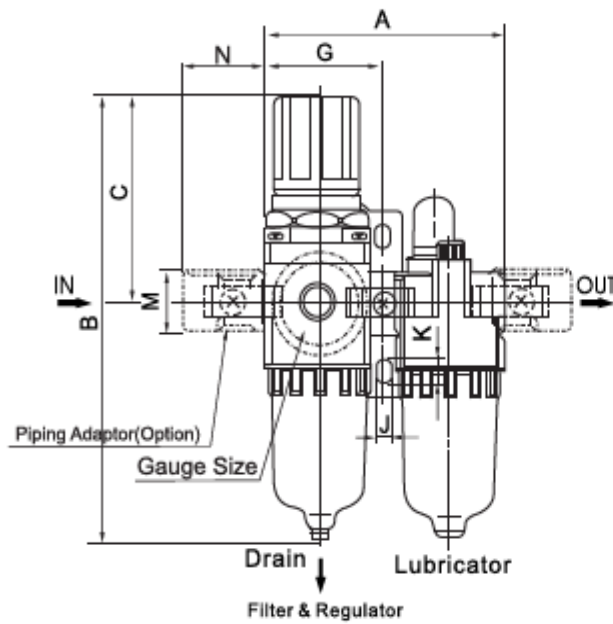
2.Characteristics:

- 1) The AC series is consisted of AW and AL , each unit can be ordered separately.
- 2) The AW with water separate cleans the compressed air of fluid oil,condensation and dirt particles.
For special application,the standard 40µm filter element may easily be replaced by a 25µm or 5µm filter element.
And the AW maintain inputting constant operating pressure despite fluctuation in line pressure&the amount of air consumed.
- 3) The proportional lubricator adds a regulated quantity of oil to the filtered air.
The oil-mist content proportional to the flow and oil can be added during operation.
The oil drip rate is controlled by the adjustable bolt.Normally,1to 12 drops /1000L of the air is sufficient.
- 4) Different thread type can be offered according to customers' requirements, e.g.: PT, NPT etc.

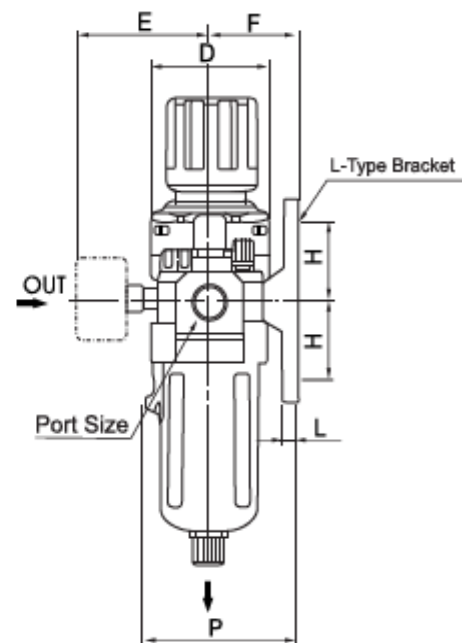
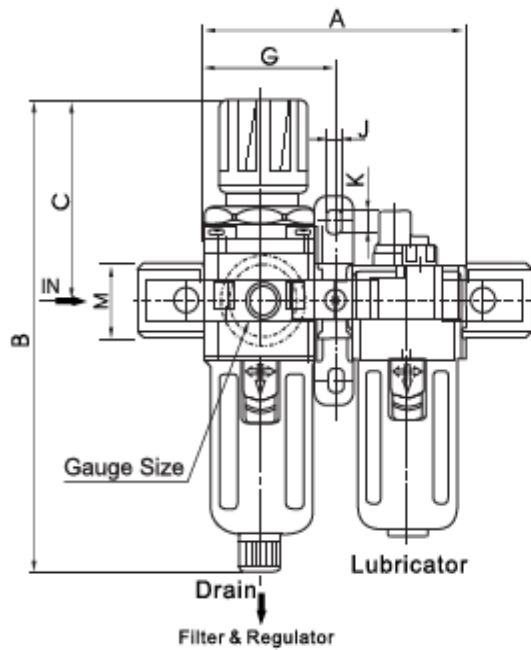
3.Specification:

Model	AC2010-01	AC2010-02	AC3010-02	AC3010-03	AC4010-03	AC4010-04	AC4010-06	AC5010-06	AC5010-10
Port size	G1/8	G1/4	G1/4	G3/8	G3/8	G1/2	G3/4	G3/4	G1
Applicable medium	Compressed Air								
Working pressure range	0.05~0.85 MPa								
Proof pressure	1.5MPa								
Temperature range	0℃~60℃								
Nominal flow rate L/min	500	500	1700	1700	3000	3000	3000	4000	4000
Grade of filtration	40µm(in default),25µm,5µm								
Recommended oil use	ISO VG32 or the same grade oil								
Ccontainer Material	Polycarbonate								
Protective cover	Not available		Available						
Drain Function	Differential drain		Differential drain or Automatic drain						

4. Overall and Dimension Sheet:



AC1010~AC2010



AC3010~AC5010

Model	Port Size (G)	A	B	C	D	E	F	G	H	J	K	L	M	N	P
AC1010	M5	58	109.5	50.5	25	26	25	29	20	4.5	7.5	5	17.5	16	38.5
AC2010	G1/8~G1/4	90	164.5	78	40	56.8	30	45	24	5.5	8.5	5	22	23	50
AC3010	G1/4~G3/8	117	211	92.5	53	60.8	41	58.5	35	7	11	7	34.2	26	70.5
AC4010	G3/8~1/2	154	262	112	70	70.5	50	77	40	9	13	7	42.2	33	88
AC4010-06	G3/4	164	267	114	70	70.5	50	82	40	9	13	7	46.2	36	88
AC5010	G3/4-G1	195	338	116	90	75.5	69.8	97.5	50	12	16	10.5	55.5	40	115