

Magnetic Switch & Magnetic Sensor:

a) CS1-M,CS1-MP,CS1-MN Magnetic sensor for DNC standard cylinder



1. Ordering Code:

CS1	-	M	-	□
↑		↑		↑
Magnetic sensor		M:Basic two cables MN:NPN type MP:PNP type		Length of cable Blank:1m 2m 3m 4m 5m

2. Characteristics:

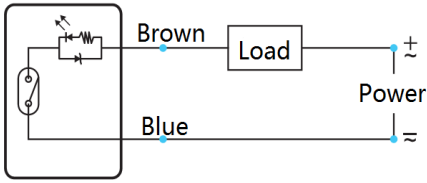
- 1) The CS1-M series magnetic switches are used for ISO6431 **DNC** standard cylinders only.
- 2) The default length of cable is 1meter, more length can be selected,like 2m,3m,4m,5m...
- 3) Mounting it conveniently on the cylinder.

3. Specification:

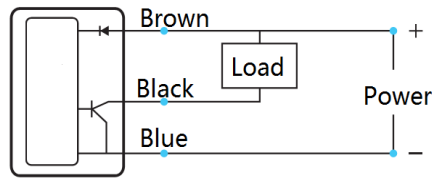
Model	CS1-M	CS1-MN	CS1-MP
Switch logic	SPST Normal open	Electronic non-contact,Normal open	
Sensor type	Reed switch type	NPN type,current-in	PNP type,current-out
Operating Voltage	5~240V DC/AC	5~30V DC	
Switching Current	100mA max	200mA max	
Contact Rating	10W max	6W max	
Current Consumption	No	20mA max@24V(switch active)	
Voltage Drop	2.5V max@100mA	0.5V max@200mA	
Leakage Current	No	0.01mA max	
Indicator	LED in red	LED in red	LED in green
Cable	Φ3.2, 2C, Gray PVC	Φ3.2, 2C, Black PVC	
Sensitivity	40 Gauss		
Max.switch Frequency	200Hz	1000Hz	
Temperature Range	-10~70°C		
Shock	30G	50G	
Vibration	9G		
Fence Classification	IEC 529 IP67 (NEMA6)		
Protection Circuit	No	Reverse Polarity protection,short circuit protection, Surge absorbing protection	

4. Connection Diagram:

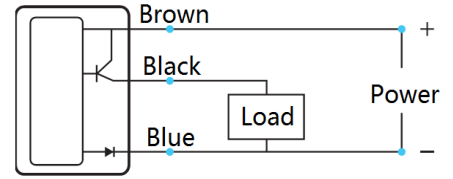
CS1-M type



CS1-MN type

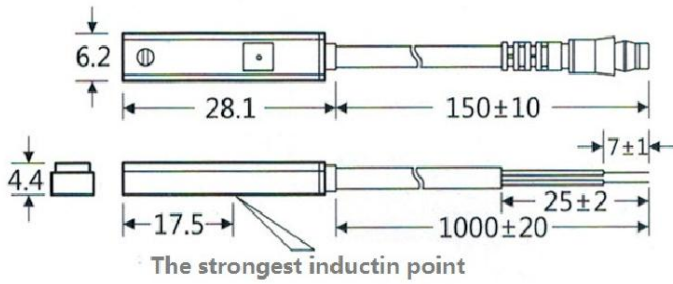


CS1-MP type

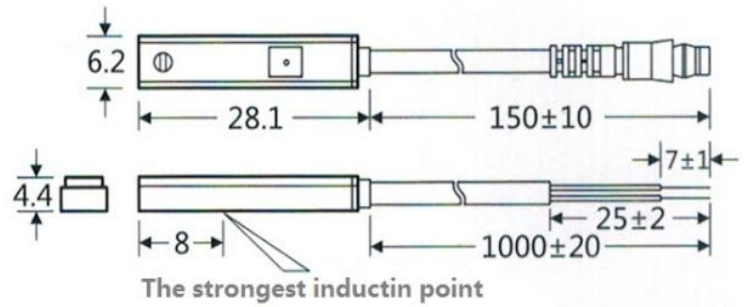


5. Over and dimension:

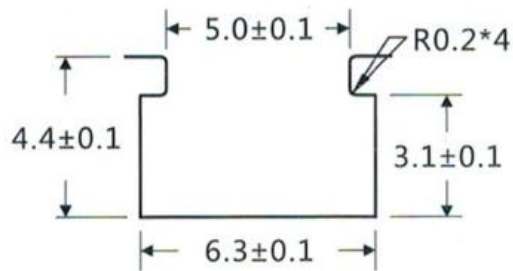
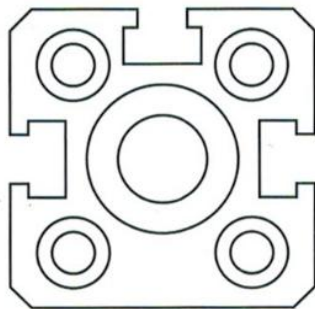
CS1-M type



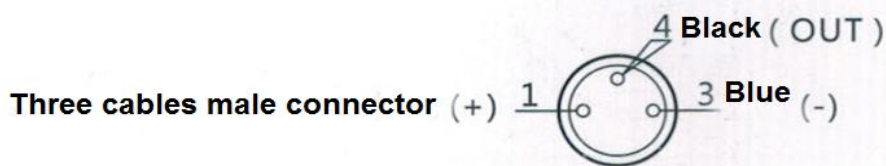
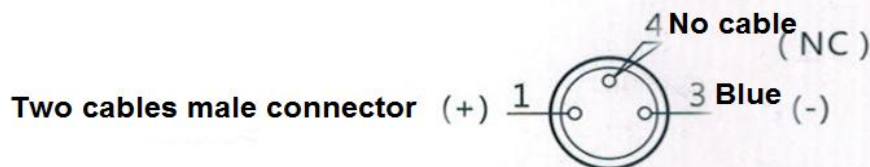
CS1-MN and CS1-MP type



6. Dimension of groove:



7. QD quick connecting diagram:



b) CS1-U,CS1-UP,CS1-UN Magnetic sensor for SC,SU,SI standard cylinder



1. Ordering Code:

CS1	-	U	-	□
↑		↑		↑
Magnetic sensor		U:Basic two cables		Length of cable
		UB:Normal closed		Blank:1m
		Three cables:		2m
		UN:NPN type		3m
		UP:PNP type		4m
				5m

2. Characteristics:

- 1) The CS1-U series magnetic switches are used for **SC,SU,SI** standard cylinders.
- 2) The default length of cable is 1meter, more length can be selected,like 2m,3m,4m,5m...
- 3) Mounting it conveniently on the cylinder.

3. Specification:

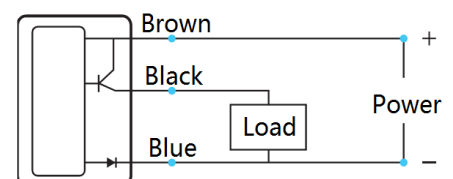
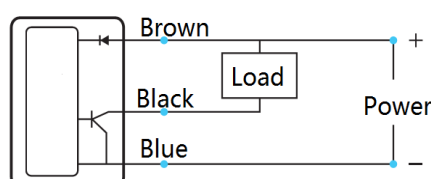
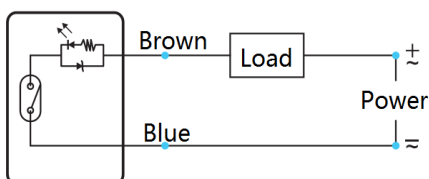
Model	CS1-U	CS1-UB	CS1-UN	CS1-UP
Switch logic	Normal open	Normal closed	Electronic non-contact,Normal open	
Sensor type	Reed switch type		NPN type,current-in	PNP type,current-out
Operating Voltage	5~240V DC/AC	5~120vdc/ac	5~30V DC	
Switching Current	100mA max		200mA max	
Contact Rating	10W max		6W max	
Current Consumption	No		20mA max@24V(switch active)	
Voltage Drop	2.5V max@100mA		0.5V max@200mA	
Leakage Current	No		0.01mA max	
Indicator	LED in red	Led green	LED in red	LED in green
Cable	Φ3.8, 2C, Gray PVC		Φ3.8, 2C, Black PVC	
Sensitivity	60 Gauss			
Max.switch Frequency	200Hz		1000Hz	
Temperature Range	-10~70°C			
Shock	30G		50G	
Vibration	9G			
Fence Classification	IEC 529 IP67 (NEMA6)			
Protection Circuit	No		Reverse Polarity protection,short circuit protection, Surge absorbing protection	

4. Connection Diagram:

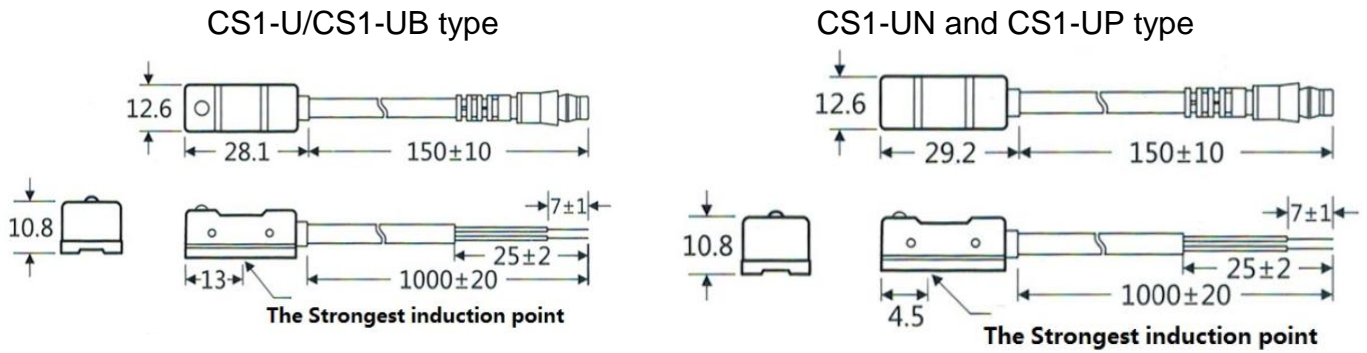
CS1-U/CS1-UB type

CS1-UN type

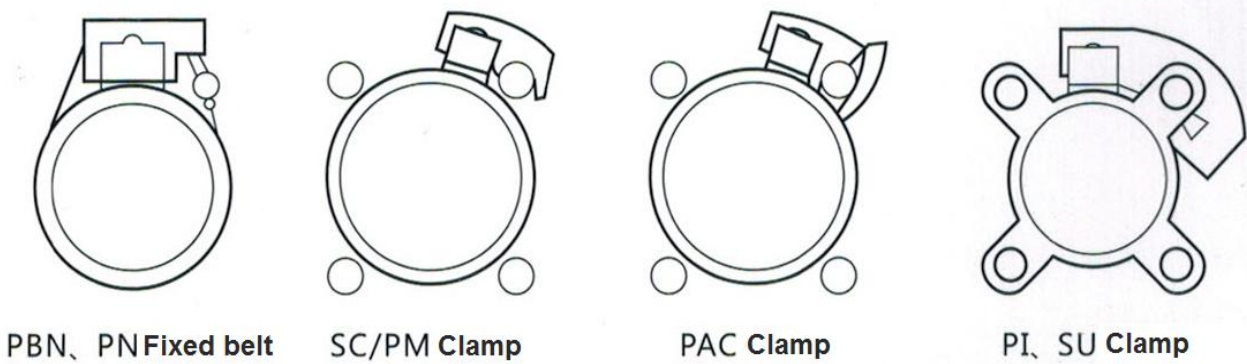
CS1-UP type



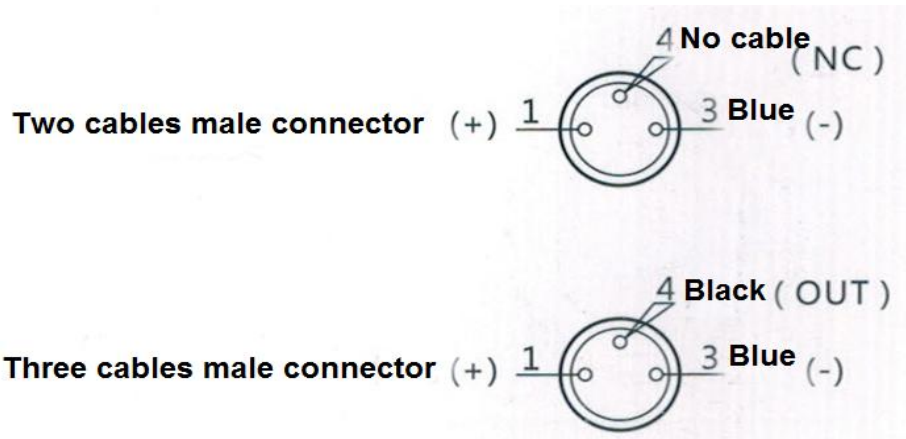
5. Over and dimension:



6. Clamp and fixed parts:



7. QD quick connecting diagram:



c) CS1-J,CS1-JP,CS1-JN Magnetic sensor for SDA compact cylinder



1. Ordering Code:

CS1	-	J	-	□
↑		↑		↑
Magnetic sensor		J:Basic two cables		Length of cable
		JB:Normal closed		Blank:1m
		Three cables:		2m
		JN:NPN type		3m
		JP:PNP type		4m
				5m

2. Characteristics:

- 1) The CS1-J series magnetic switches are used for **SDA** Compact cylinders.
- 2) The default length of cable is 1meter, more length can be selected,like 2m,3m,4m,5m...
- 3) Mounting it conveniently on the cylinder.

3. Specification:

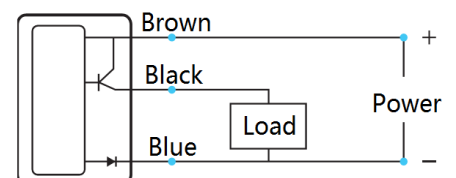
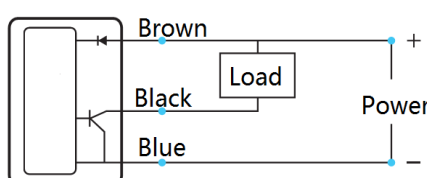
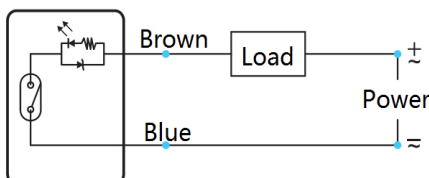
Model	CS1-J	CS1-JB	CS1-JN	CS1-JP
Switch logic	Normal open	Normal closed	Electronic non-contact,Normal open	
Sensor type	Reed switch type		NPN type,current-in	PNP type,current-out
Operating Voltage	5~240V DC/AC	5~120vdc/ac	5~30V DC	
Switching Current	100mA max		200mA max	
Contact Rating	10W max		6W max	
Current Consumption	No		20mA max@24V(switch active)	
Voltage Drop	2.5V max@100mA		0.5V max@200mA	
Leakage Current	No		0.01mA max	
Indicator	LED in red		LED in red	LED in green
Cable	Φ3.2, 2C, Gray PVC		Φ3.2, 2C, Black PVC	
Sensitivity	40 Gauss			
Max.switch Frequency	200Hz		1000Hz	
Temperature Range	-10~70°C			
Shock	30G		50G	
Vibration	9G			
Fence Classification	IEC 529 IP67 (NEMA6)			
Protection Circuit	No		Reverse Polarity protection,Surge absorbing protection	

4. Connection Diagram:

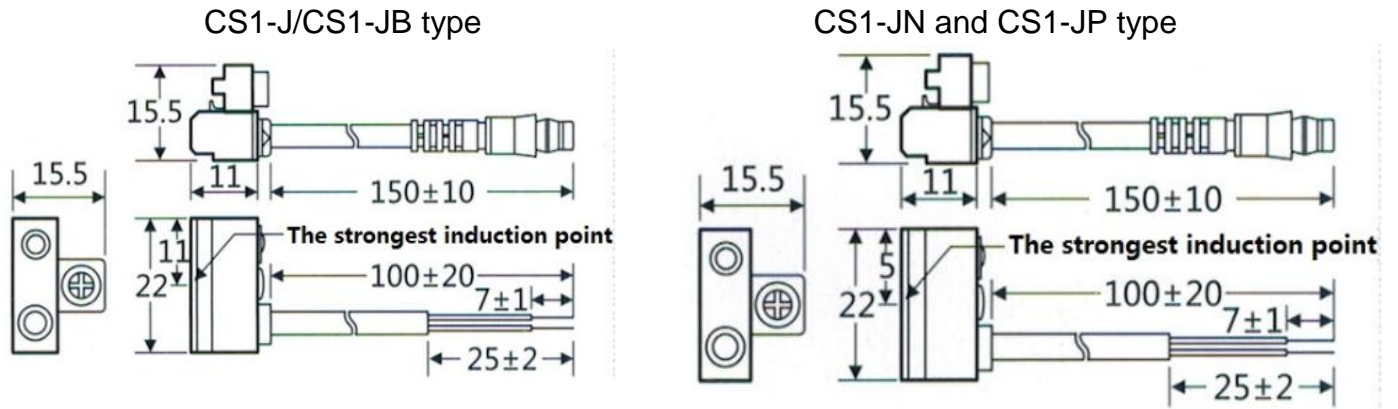
CS1-J/CS1-JB type

CS1-JN type

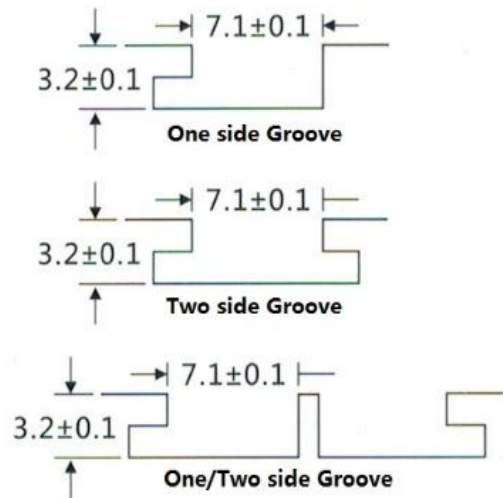
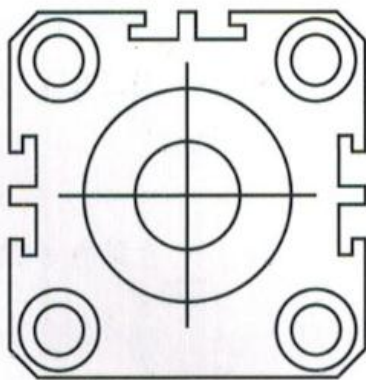
CS1-JP type



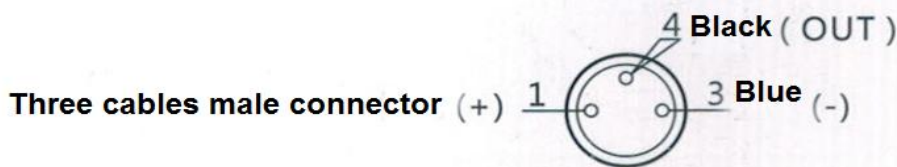
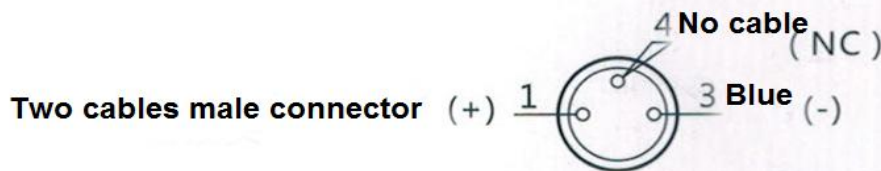
5. Over and dimension:



6. Dimension of groove:



7. QD quick connecting diagram:



d) CS1-S,CS1-SP,CS1-SN Magnetic sensor for MA,MAL,DSN Mini cylinder



1. Ordering Code:

CS1	-	S	-	□
↑		↑		↑
Magnetic sensor		S:Basic two cables		Length of cable
		SB:Normal closed		Blank:1m
		Three cables:		2m
		SN:NPN type		3m
		SP:PNP type		4m
				5m

2. Characteristics:

- 1) The CS1-S series magnetic switches are used for **DSN,MA,MAL** mini cylinders.
- 2) The default length of cable is 1meter, more length can be selected,like 2m,3m,4m,5m...
- 3) Mounting it conveniently on the cylinder.

3. Specification:

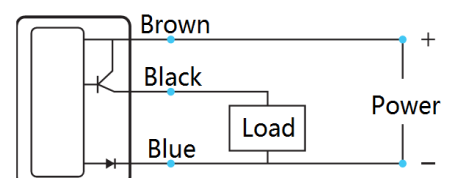
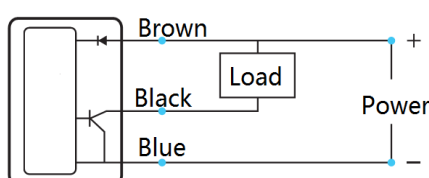
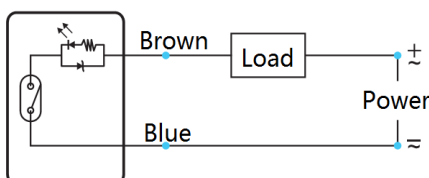
Model	CS1-S	CS1-SB	CS1-SN	CS1-SP
Switch logic	Normal open	Normal closed	Electronic non-contact,Normal open	
Sensor type	Reed switch type		NPN type,current-in	PNP type,current-out
Operating Voltage	5~240V DC/AC	5~120vdc/ac	5~30V DC	
Switching Current	100mA max		200mA max	
Contact Rating	10W max		6W max	
Current Consumption	No		20mA max@24V(switch active)	
Voltage Drop	2.5V max@100mA		0.5V max@200mA	
Leakage Current	No		0.01mA max	
Indicator	LED in red		LED in red	LED in green
Cable	Φ3.2, 2C, Gray PVC		Φ3.2, 2C, Black PVC	
Sensitivity	60 Gauss			
Max.switch Frequency	200Hz		1000Hz	
Temperature Range	-10~70°C			
Shock	30G		50G	
Vibration	9G			
Fence Classification	IEC 529 IP67 (NEMA6)			
Protection Circuit	No		Reverse Polarity protection,Surge absorbing protection	

4. Connection Diagram:

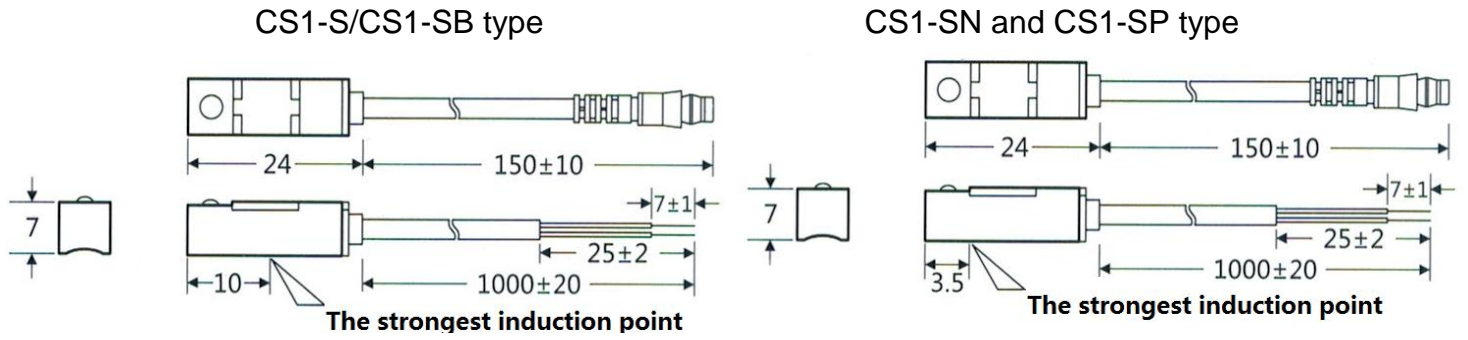
CS1-S/CS1-SB type

CS1-SN type

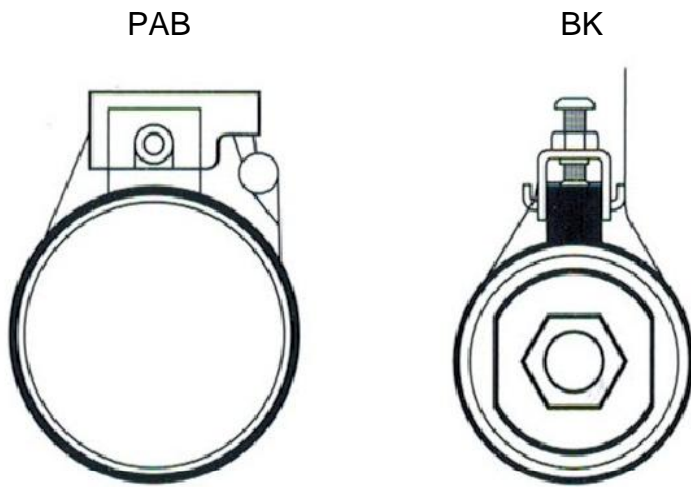
CS1-SP type



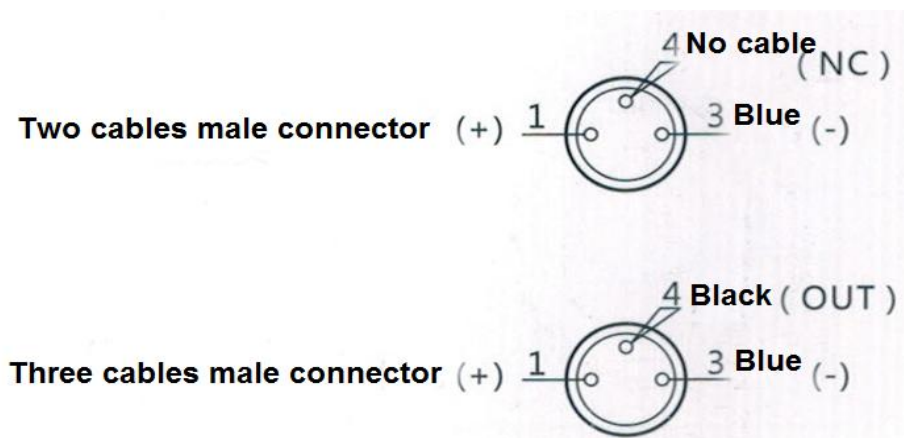
5. Over and dimension:



6. Fixed with PAB/BK stainless steel belt:



7. QD quick connecting diagram:

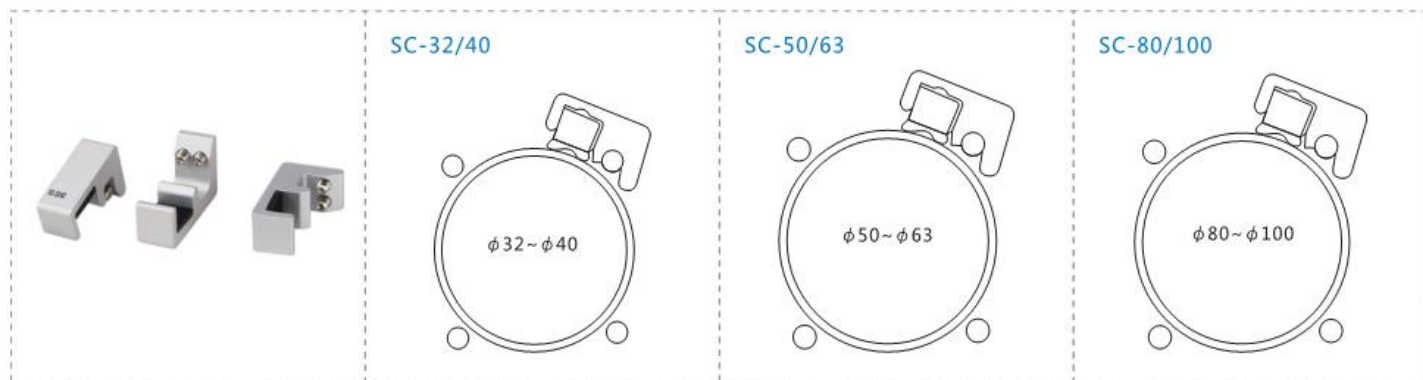


e) Accessories for magnetic switches

1. SC clamp for Round Cylinder barrel:

(Fixed with: CS1-U,CS1-F)

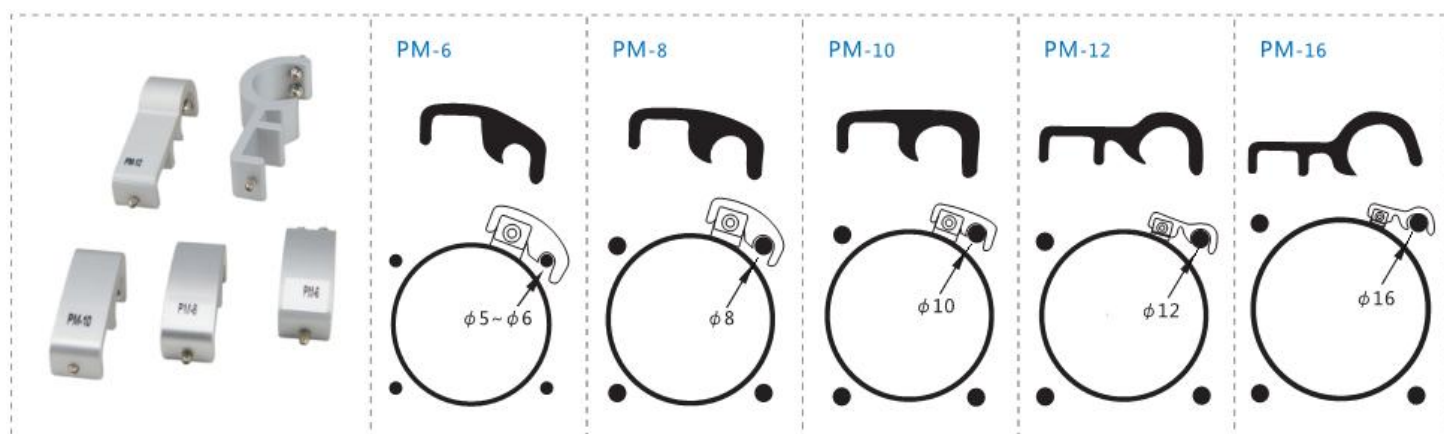
SC - 32/40
 ↑ ↑
 Clamp for SC cylinder Cylinder bore
 32mm~100mm



2. PM clamp for Round cylinder barrel:

(Fixed with: CS1-U,CS1-F)

PM - 6
 ↑ ↑
 Clamp for SC cylinder Pulling rod bore

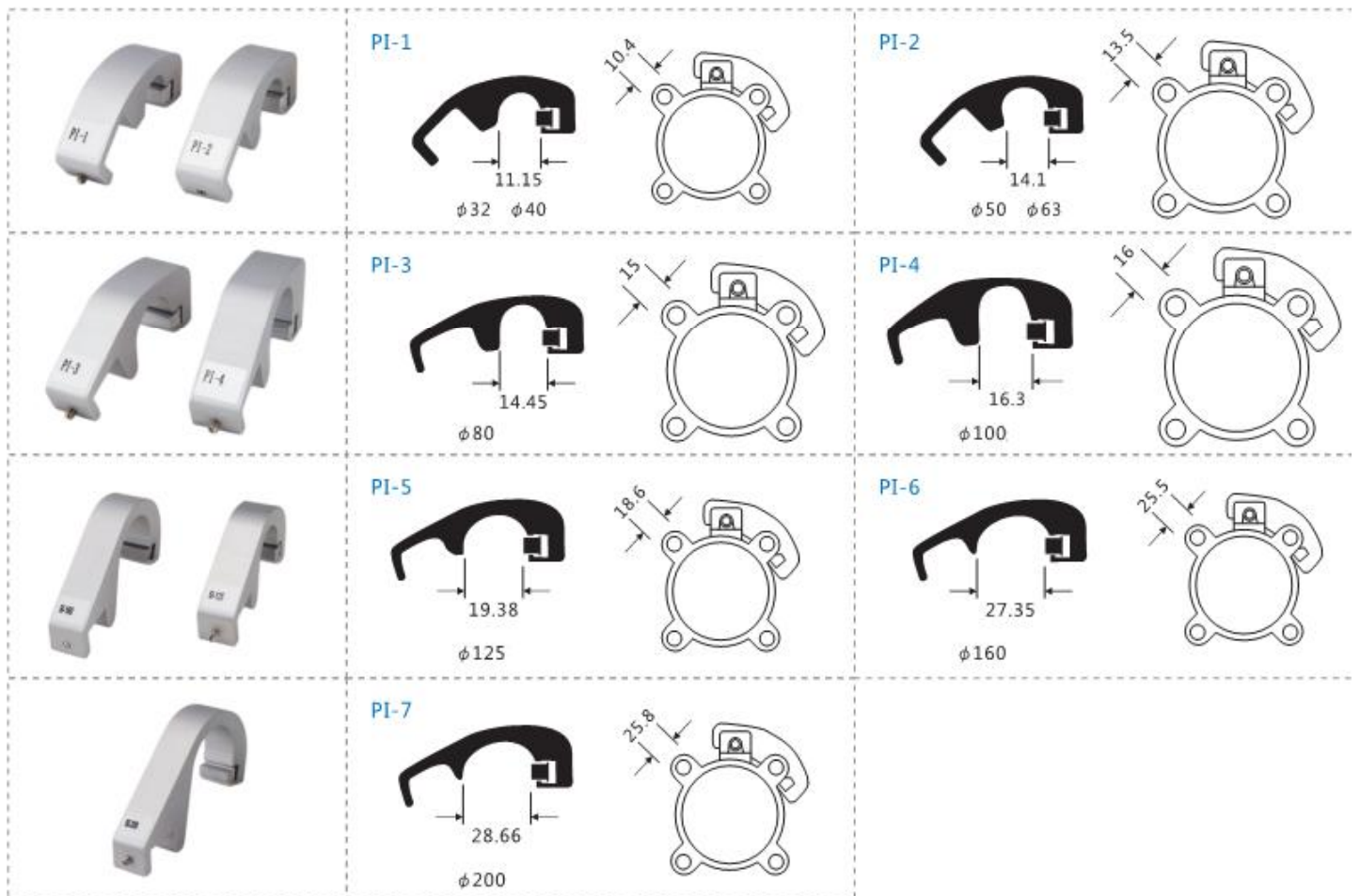


3. PI clamp for SI Micky Mouse cylinder barrel:

(Fixed with: CS1-U,CS1-F)



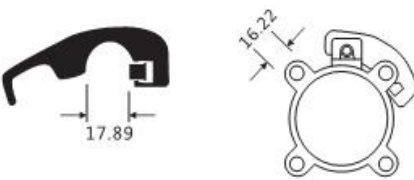
PI - 1
 ↑ ↑
 Clamp for SI cylinder Model
 1:Φ32~Φ40
 2:Φ50~Φ63
 3:Φ80
 4:Φ100
 5:Φ125
 6:Φ160
 7:Φ200



4. SU clamp for SU Micky Mouse cylinder barrel:

(Fixed with: CS1-U,CS1-F)

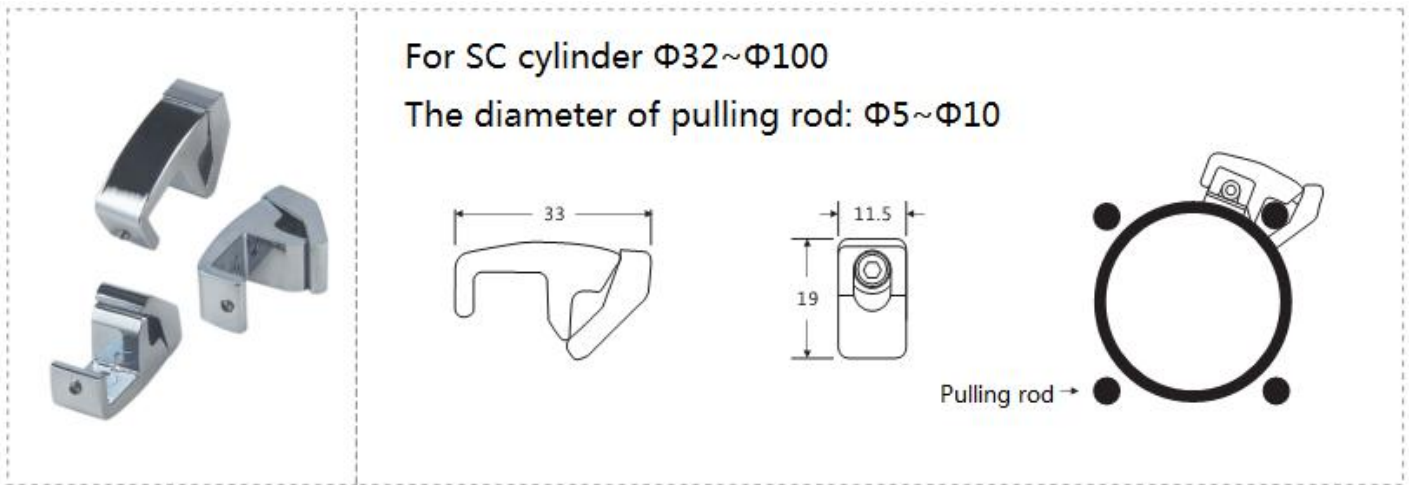
SU - 50
 ↑ ↑
 Clamp for SU cylinder Cylinder bore
 $\phi 32-\phi 200$

	<p>SU-32</p>  <p>$\phi 32$</p>	<p>SU-40</p>  <p>$\phi 40$</p>
	<p>SU-50</p>  <p>$\phi 50$</p>	<p>SU-63</p>  <p>$\phi 63$</p>
	<p>SU-80</p>  <p>$\phi 80$</p>	<p>SU-100</p>  <p>$\phi 100$</p>
	<p>SU-125</p>  <p>$\phi 125$</p>	<p>SU-160</p>  <p>$\phi 160$</p>
	<p>SU-200</p>  <p>$\phi 200$</p>	

5. PAC clamp for SC Round cylinder barrel:

(Fixed with: CS1-U,CS1-F)

PAC - 50
 ↑ ↑
 Clamp for SC cylinder Cylinder bore
 Φ32~Φ200

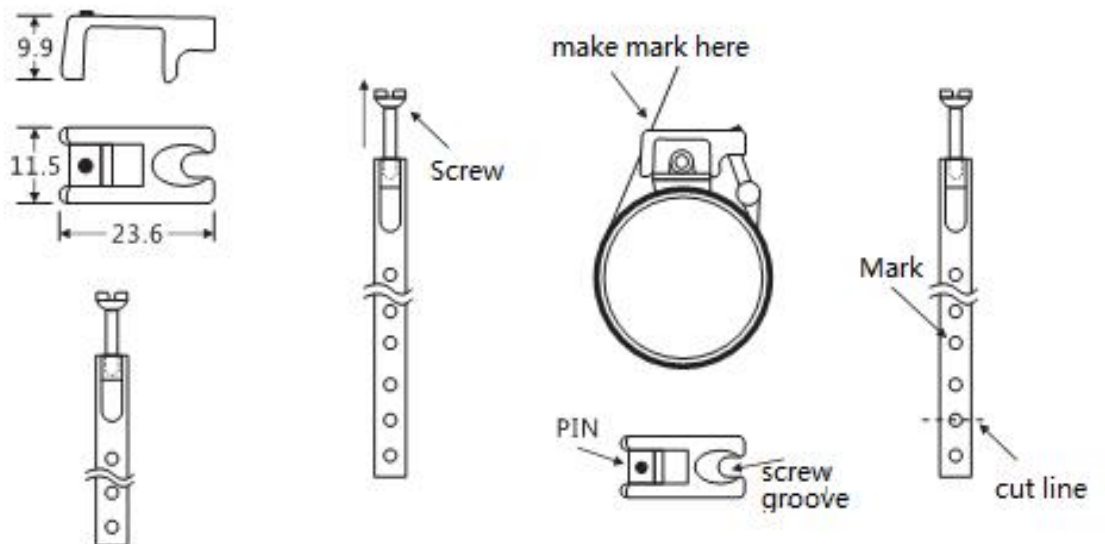


6. PAB fixed SS304 belt for DSN,MA,MAL Mini cylinder:

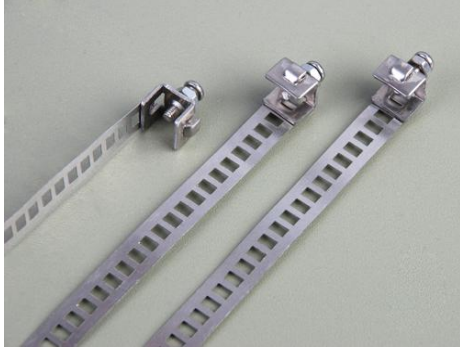
(Fixed with: CS1-S only)



PAB - 01
 ↑ ↑
 Clamp for Mini cylinder Model Length
 01: for Φ6~Φ63 210mm
 02: for Φ6~Φ125 420mm
 03: for ≥Φ125 630mm



7. BK fixed SS304 belt for DSN,MA,MAL Mini cylinder:
 (Fixed with: CS1-S only)



BK	-	01	
↑		↑	
Clamp for Mini cylinder		Model	Length
		01: for $\Phi 6\sim\Phi 32$	210mm
		02: for $\Phi 6\sim\Phi 63$	420mm

